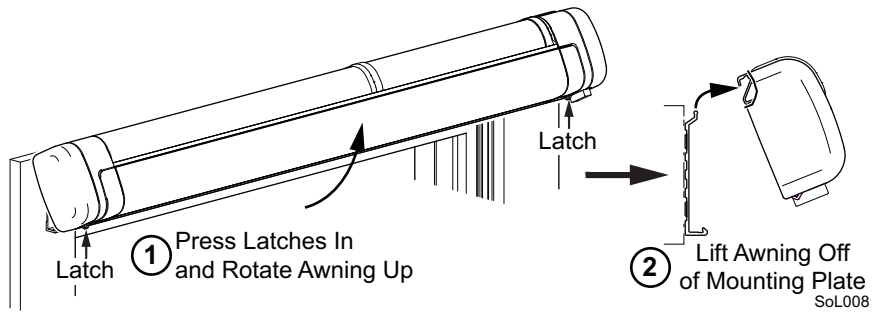


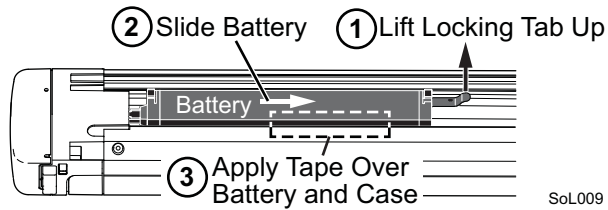
## PREPARING THE AWNING FOR SHIPMENT

### REMOVE THE AWNING

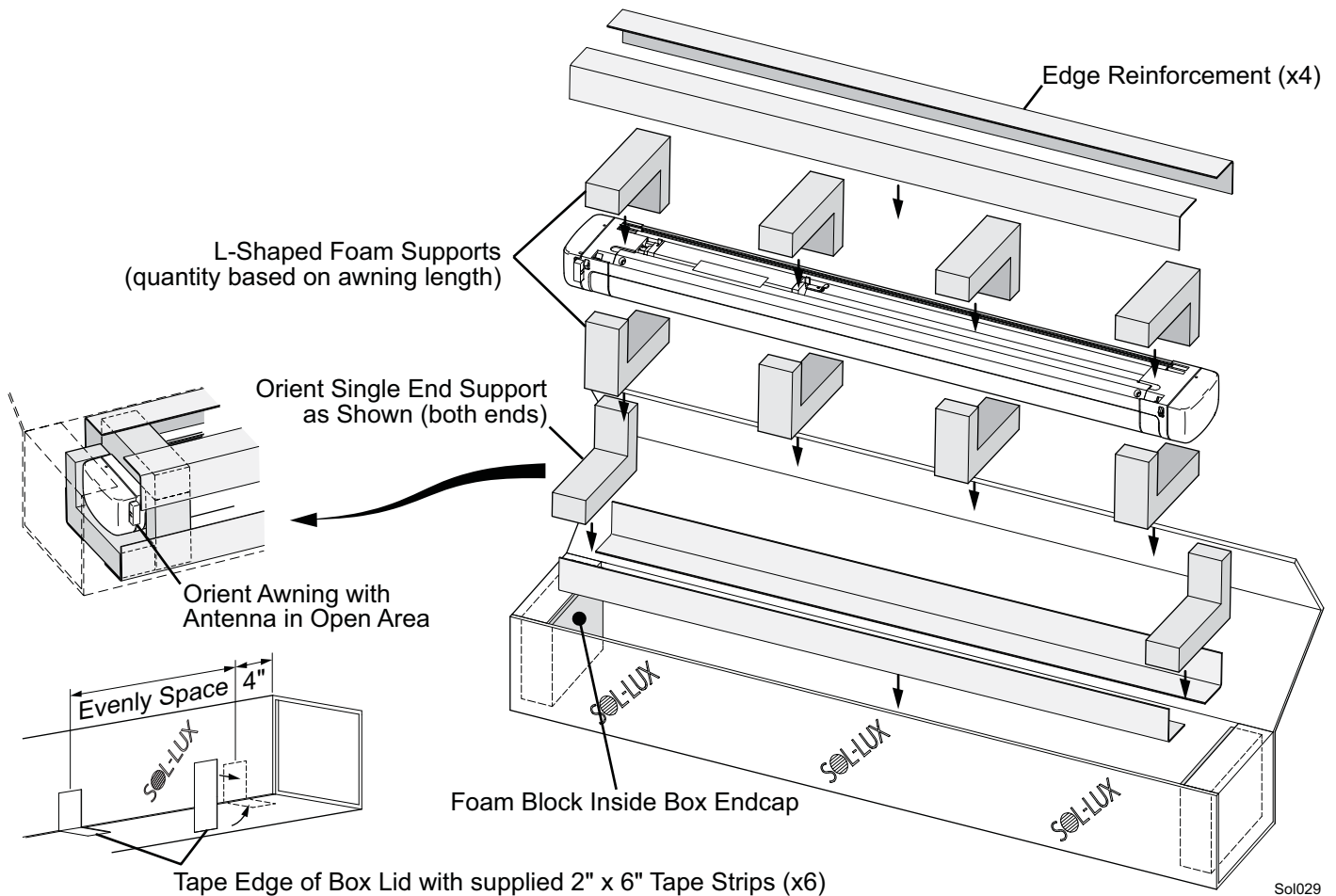
**NOTE:** It is not necessary to remove the mounting plate from the window.



### DISCONNECT THE BATTERY



## PACKAGE THE AWNING



1. After packing the awning, close the box and tape the edge of the lid with the tape provided.
2. On the outside of the box affix the prepaid shipping label over the original shipping label.
3. Take the package to your local UPS location or contact UPS to arrange a pick-up.

Shipping Address:  
**Sol-Lux Returns**  
**2145 W. 6<sup>th</sup> Ave.**  
**Broomfield, CO**  
**80020**