



INSTALLATION MANUAL

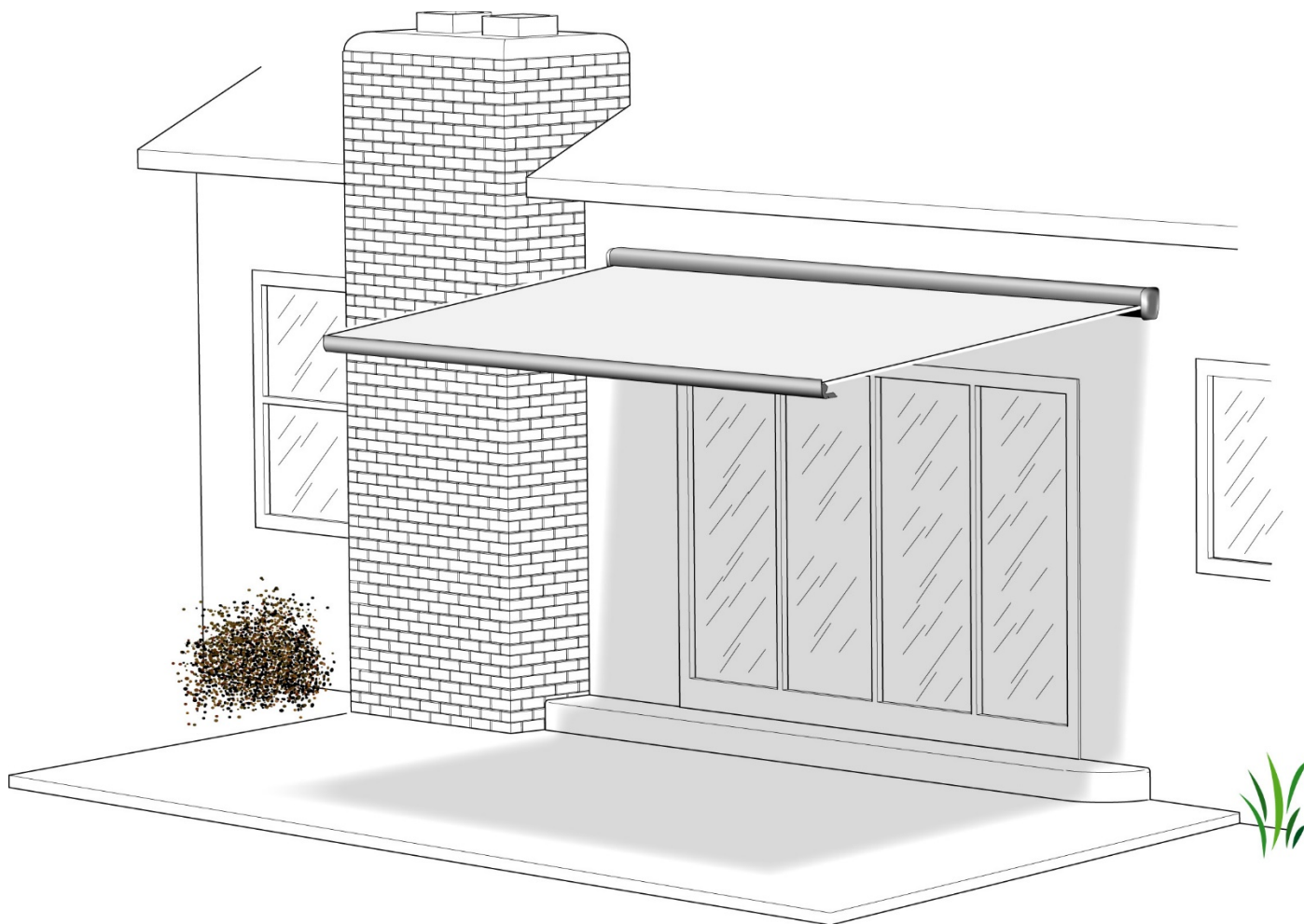
MIRAGE RESIDENTIAL AWNING

120V MOTORIZED LATERAL ARM BOX AWNING

Residential



Read this manual before installing or using this product. Failure to follow the instructions and safety precautions in this manual can result in personal injury and/or cause the product to not operate properly.



QUICK SETUP GUIDE

This Quick Setup Guide provides a fast, high-level checklist for installers who are already familiar with Sol-Lux awning installation principles. It summarizes the minimum required steps to safely mount, connect, and operate a Sol-Lux Freedom or Mirage patio awning. For complete instructions, always refer to the full installation manual.

PRE-INSTALLATION CHECKLIST

- √ Confirm awning model, size, and configuration match the original purchase order.
- √ Verify the installation location is free of obstacles: lights, vents, trim, gutters, etc.
- √ Identify structural framing behind mounting surface (studs, headers, or solid structure). *Siding or fiberglass alone is NOT sufficient support.*
- √ Ensure appropriate fasteners for wall type are available (lag screws, structural anchors).
- √ Confirm 110V power access (Mirage) or solar charging alignment (Freedom).
- √ Have two installers or a lift device available – both awnings are heavy.
- √ Fully charge the battery before installation (Freedom).

TOOLS REQUIRED

- Drill & impact driver
- Level (4 ft recommended)
- Stud finder
- Tape measure
- 3/16" and 5/16" drill bits (for mounting plates)
- #6 x 3/8" screws (included with awning)
- 7mm hex key (manual override)
- Protective eyewear and gloves
- 1/4" and 3/8" Hex Drivers
- 5/16" Hex Driver with 3" Extension

1. MOUNTING PLATE SETUP

1. Snap a level chalk line at desired mounting height.
2. Identify stud/frame layout and mark on wall.
3. Transfer framing pattern to the mounting plate
4. Verify **case connector** locations align with structural framing – this is critical to prevent long-term structural failure.
5. Drill clearance holes in mounting plate based on type of mounting fastener to be used.
6. Position mounting plate on chalk line; ensure it is level.
7. As appropriate, drill pilot holes into structural framing.
8. Install mounting fasteners, starting from center outward; do not overtighten.

2. MOUNTING THE AWNING

1. Use a lift or at least **two installers** to raise the awning to the plate.
2. Hook the awning case onto the mounting plate bracket.
3. Visually verify that the awning is fully seated into the mounting bracket.
4. Route power cable(s) as required.

3. SECURING THE AWNING

FREEDOM	MIRAGE
1. Fasten the awning to the bracket with three (3) 6 X 3/8" screws through bottom of bracket into case.	1. Open the awning ~3 ft using manual override or motor. Remove the power source to the awning, if applicable.
2. Open the awning. (Remove the power source to the awning)	2. Drill three (3) 3/16" holes through case, plate, and into wall (not through interior).
3. Install two (2) #10 x 5/8" self-drilling screws and one (1) #10 X 1" self-drilling screw at each case connector.	3. Ream out the holes in the case only to 5/16.
4. Restore power source to awning.	4. Install three (3) 1/4" X 1 1/2" lag screws to secure the awning to the mounting bracket.
	5. Restore power source to awning, if applicable.

4. OPERATIONAL TESTING

- √ Confirm that full open/close operation is smooth.
- √ Verify fabric tension at fully extended position.
- √ Check lead rail alignment with awning housing.
- √ Adjust pitch if needed (refer to installation instructions).
- √ Test auto-retraction via motion sensor.

FINAL SAFETY CHECKS

- Ensure all fasteners are tight.
- Confirm awning is fully seated into the mounting bracket.
- Verify cable strain relief.
- Make sure homeowner understands:
 - Not to leave awning extended during wind
 - Manual override location
 - Cleaning/maintenance basics

TABLE OF CONTENTS

Quick Setup Guide	2
Proprietary Statement	5
Safety Information	6
Product Overview	7
Component Checklist	8
Installation	9
Required Pre-Installation Parameters	9
Mounting Plate Layout and Installation.....	10
Attaching the Mounting Plate.....	12
Mounting the Awning	13
Securing the Awning.....	13
Setting Operational Parameters	14
LED Lighting	16
Pitch Adjustment	17
Manual Override	17
Maintenance	19
Arm Noise	19
Cleaning/Wiping the Awning Cassette	19
Sol-Lux® Non-Transferable Limited Warranty	20

PROPRIETARY STATEMENT

The Mirage Awning is a product of SOL-LUX, located in Broomfield, Colorado, USA. The information contained in or disclosed in this document is considered proprietary to SOL-LUX. Every effort has been made to ensure that the information presented in the document is accurate and complete. However, SOL-LUX assumes no liability for errors or for any damages that result from the use of this document.

The information contained in this manual pertains to the current configuration of the models listed on the title page. Earlier model configurations may differ from the information given. SOL-LUX reserves the right to cancel, change, alter or add any parts and assemblies described in this manual, without prior notice.

SOL-LUX agrees to allow the reproduction of this document for use with SOL-LUX products only. Any other reproduction or translation of this document in whole or part is strictly prohibited without prior written approval from SOL-LUX.

SAFETY INFORMATION



This is the safety alert symbol. It is used to alert individuals to potential personal injury hazards. Obey all safety messages that follow this symbol to avoid possible personal injury or death.



Indicates a hazardous situation, which if not avoided, could result in death or serious bodily injury.



Indicates a hazardous situation, which if not avoided, may result in minor or moderate bodily injury.



Indicates a situation that may result in equipment-related damage.

General Safety:

WARNING This product can expose you to chemicals including Di-isodecyl phthalate (DIDP), Vinyl Chloride and Formaldehyde, which are known to the state of California to cause cancer or birth defects or other reproductive harm. For more information visit www.P65warnings.ca.gov

WARNING The Mirage awning is built with a wind sensor. During vibration and movement of the awning in the open position, if the sensor detects enough movement, it will instruct the motor to automatically retract the awning. However, wind is variable, and a strong gust of wind can occur faster than the sensor can react, and the wind can quickly damage the awning, potentially breaking loose from the mounting plate. An unsecured awning striking a person may result in injury or death. Do not leave the awning unsupervised at any time. You should immediately retract the awning if wind is starting to affect the awning in an unsafe manner.

WARNING The Mirage awning has spring loaded arms which push the awning open. The motor and the canopy resist the spring-loaded opening action. Extreme care must be taken when working with the awning to prevent the unintentional release of the spring-loaded arms. Do not stand on a ladder in front of the awning if it is unsecured when performing repairs or maintenance. You must secure the awning first by tying the arms together or looping a retaining strap of sufficient strength around the case and lead rail to prevent an unintentional full release of the awning.



Shock Hazard. Always disconnect battery or power source before working on or around the electrical system.



Always wear appropriate safety equipment (i.e. goggles) during installation or maintenance.



Always use appropriate lifting devices and/or helpers when lifting or holding heavy objects.



When using fasteners, do not over tighten. Soft materials such as fiberglass and aluminum can be “stripped out” and lose the ability to grip and hold.

PRODUCT OVERVIEW

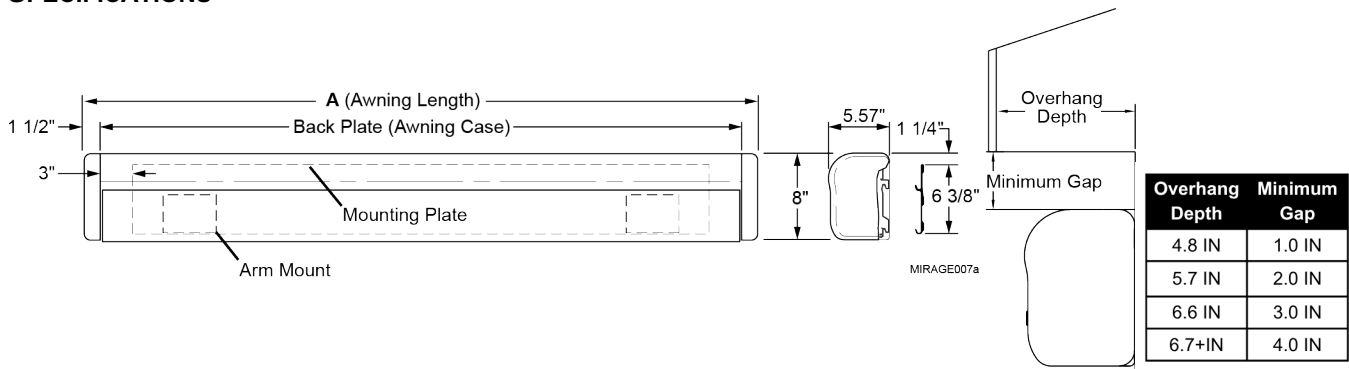
The Mirage Awning is a state-of-the-art lateral arm awning. When retracted, the housing provides protection against the elements while the streamlined styling blends in with the house. The full tension canopy fabric allows the awning to be partially or fully extended for best shade coverage.

Each unit is equipped with lateral support arms.

Mirage Awning Specifications:

- Fully retractable and self-storing;
- The sealed awning motor operates on standard 120VAC;
- Case and frame are constructed of high-strength aluminum extrusions, protected with a polyester paint finish;
- Stainless steel fasteners and hardware.

SPECIFICATIONS



Note: Overhang chart is intended to ensure that there is access to the manual override after installation. (Reference Manual Override).

Figure 1

12' EXTENSION	Inches	144							
LENGTH (DIM A):	feet	14.8	15	16	17	18	19	20	21
APPROX WEIGHT:	LBS.	168	170	179	187	196	204	213	221

10' EXTENSION	Inches	120									
LENGTH (DIM A):	feet	12.3	13	14	15	16	17	18	19	20	21
APPROX WEIGHT:	LBS.	137	143	152	160	169	177	186	194	203	211

POSITION CONTROL: 120V Motorized w/ tubular motor
CONTROLLER: Standard: Somfy® Awning Controls

MOTOR SPECIFICATIONS

Motor Type:	Tubular
Power:	120v, 60Hz, 2.1Amps
	Torque: 35Nm
Speed	20 rpm

COLORS AVAILABLE

Case:	White or Black
Fabric:	Acrylic – Please contact Sol-Lux for color availability

OPERATION PARAMETERS

Wind Sensor:	Please refer to Somfy Eolis 3D Wirefree RTS instructions 5050583D, 5050585D, 5052575D
Remote:	Please refer to Somfy Situo 1/5 Soliris RTS II instructions 5151626B or Telis 4 instructions 5013064D
Safety Instructions	Please refer to Somfy Safety instructions 5160994A, 5160996A, 5117827B
Motor Instructions	Please refer to Somfy motor instructions 5063073C
LED Receiver	Please refer to Somfy Dimmable LED RTS light kit instructions

COMPONENT CHECKLIST

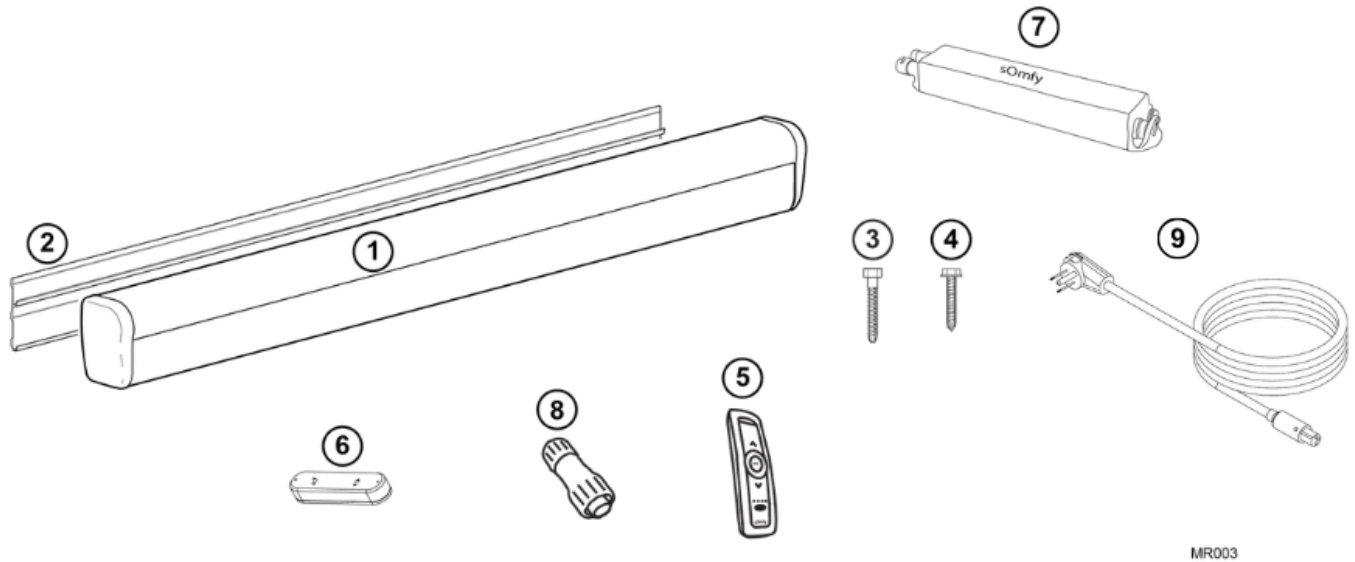


Figure 2

U	ITEM	DESCRIPTION		QTY	NOTE
<input type="checkbox"/>	1	Awning Assembly		1	1
<input type="checkbox"/>	2	Mounting Plate		1	2
<input type="checkbox"/>	3	Screw, Lag (Not included)	3/8" x 3"	NOTE	3
<input type="checkbox"/>	4	Screw, Lag (Included)	1/4" x 1 1/2"	3	N/A
<input type="checkbox"/>	5	Somfy Awning Remote		1	4
<input type="checkbox"/>	6	Somfy Wind Sensor (located inside awning)		1	5
<input type="checkbox"/>	7	Somfy Dimmable LED Receiver RTS		1	6
<input type="checkbox"/>	8	Somfy 2 Pole Plug, 12V DC LEDs		1	6
<input type="checkbox"/>	9	Power Cable		1	6

- NOTES:**
- Awning configuration is specified at time of order, including awning length, fabric etc. Check awning assembly against original purchase order.
 - Mounting Plate is provided with the awning. Do not modify the length of the mounting plate.
 - Purchase appropriate fastener for your installation, not provided. Follow instructions based on awning length for the proper quantity of fasteners.
 - Two styles of Somfy remotes are available. Interior rated remote and Exterior rated remote. Both remotes can operate the awning. Remote style is specified at time of purchase.
 - All Mirage awnings are supplied with a Somfy Wind Sensor standard, which is paired to the motor prior to shipment and mounted inside the lead rail.
 - Items 7, 8, and 9 are standard features on all Mirage awnings.

INSTALLATION

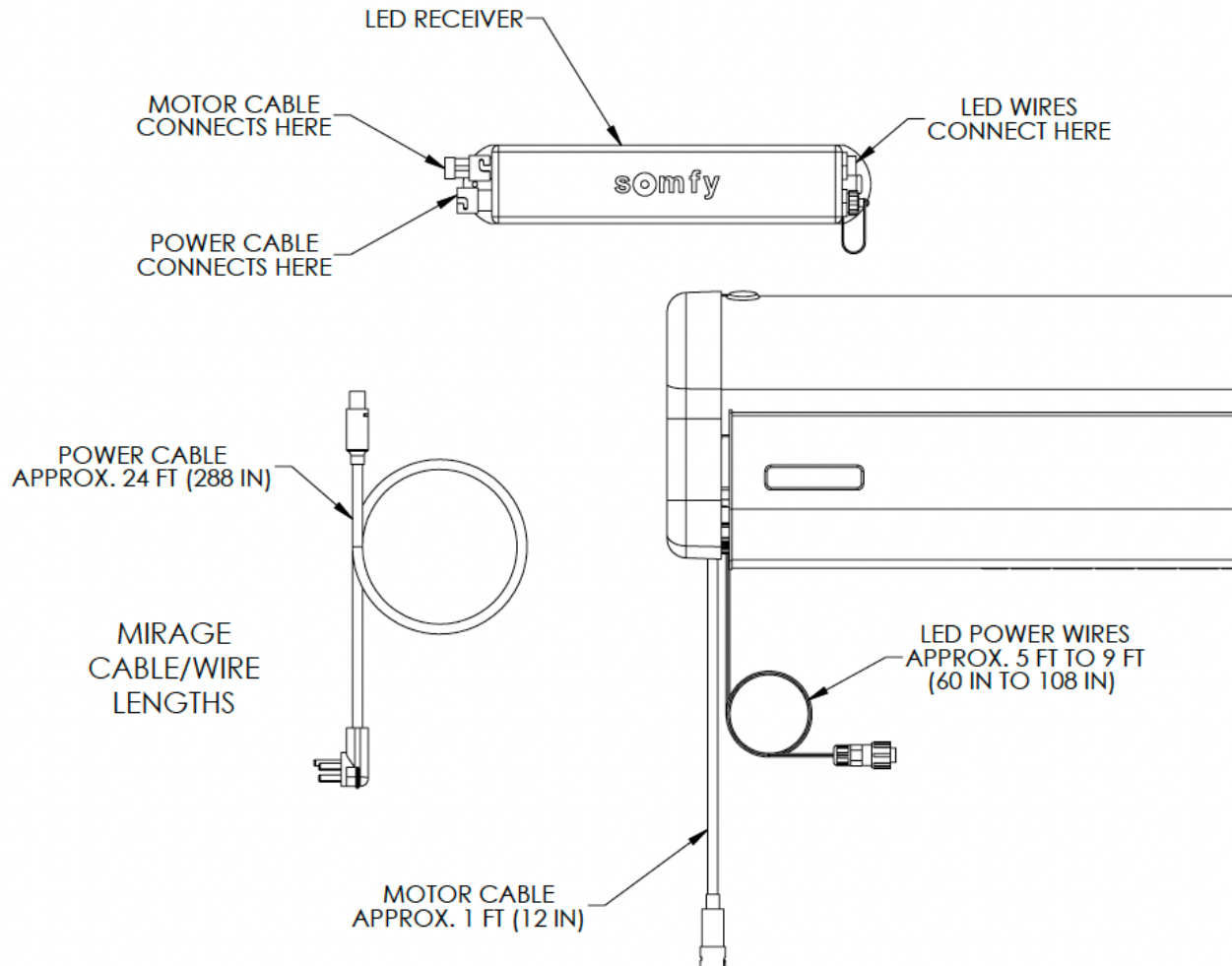
For structural and operation integrity, the Mirage awning must be mounted with the included mounting plate.

Prior to mounting the awning, ensure that the awning will not interfere with light fixtures, exhaust vents, openings, etc.

REQUIRED PRE-INSTALLATION PARAMETERS

Prior to installing the awning, the installer must determine the layout of the specific construction elements to successfully assemble and mount the awning.

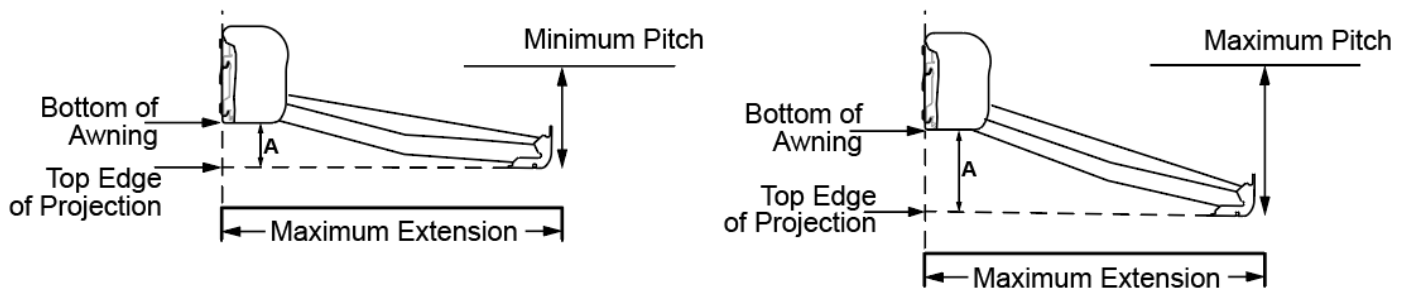
1. Determine the location, size and type of structural framing in the area where the awning is to be mounted.
 - There must be structural framing at the awning mount locations. Fiberglass or sheet metal siding alone is **NOT** strong enough to support the weight of the awning!
 - If the framing is not obvious, it may be possible to use a stud finder or other similar device.
 - If in doubt, contact an engineer or contractor to determine the type and position of the structural frame.
2. Determine the mounting locations for the power supply/LED driver.
 - The power supply should be mounted in accordance with the authority having jurisdiction wiring requirements for outdoor electrical appliances.



3. Before mounting the awning, confirm that sufficient head clearance exists for the lead rail when the awning is fully extended. Mounting height must be determined based on the selected pitch angle to ensure proper lead rail clearance.

MOUNTING PLATE LAYOUT AND INSTALLATION

- Determine the location of the awning:
 - General profile dimensions are shown in *Figure 1*.
 - Mounting area must be plumb and clear of obstacles;
 - To avoid contact with doors or windows while opening the patio awning, the mounting plate should be at least 15 inches above any openings or frames. This is because the awning's lead rail, which is the horizontal bar that supports the fabric, will travel down and out when the awning is opened. If the mounting plate is too low, the lead rail could hit a door or window if it is open. Reducing the pitch of the awning can also avoid contact with doors and windows if opened while opening the awning. See *Figure 2* for more details.
 - The mounting plate is 6" shorter than the awning; 3" shorter than the back plate. (*Reference Figure 1*). Do not modify the length of the mounting plate.
 - The awning is factory set with minimum pitch. Mounting height above a door opening or window must be adjusted if a greater pitch is desired. The chart below provides the minimum distance from the top of a protrusion to the bottom of the mounting plate when the awning is set at MINIMUM and MAXIMUM pitch:



MR006

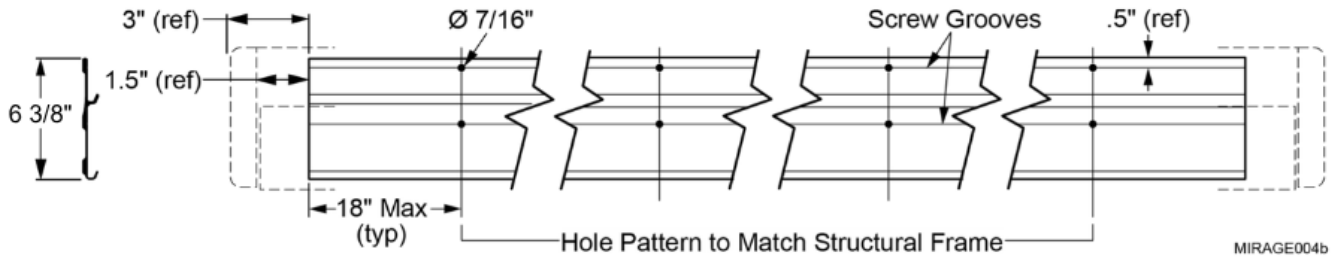
Figure 2

Awning Extension	120 Inches	144 Inches
Awning Length	12.3ft to 21ft	14.8ft to 21ft
A @ MIN PITCH AND MAX EXTENSION	Approximately 10 inches	Approximately 24.5 inches
A @ MAX PITCH AND MAX EXTENSION	Approximately 35 inches	Approximately 50.5 inches

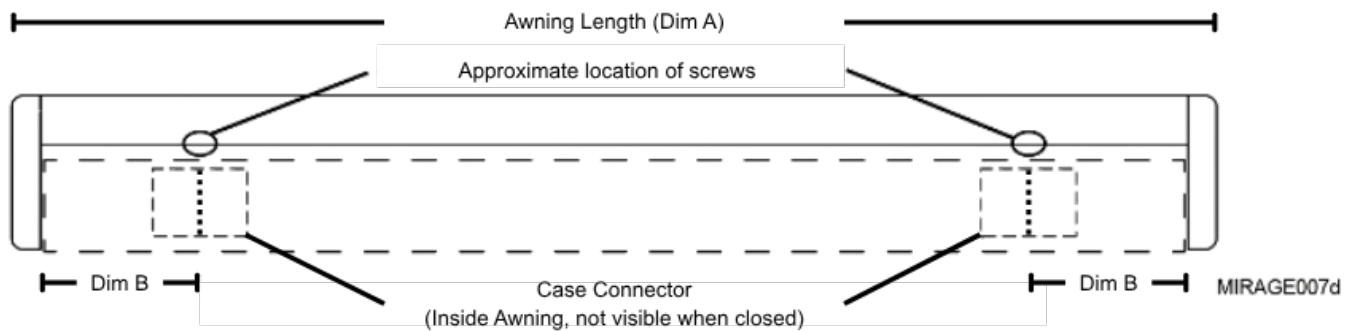
- Mark the mounting plate position with a chalk line ensuring that it is level. Include the end points of the mounting plate.
- Use a non-permanent method of marking to temporarily mark the location of the structural framing in the mounting area.
- Transfer the frame pattern to the mounting plate.
- Below is the minimum number of required mounting locations. Each location uses two screws.

Awning Length	12.3ft.	13ft.	14ft.	15ft	16ft	17ft	18ft	19ft	20ft	21ft
# of Locations	5		6			7				

- On the plate mark the location of the mounting locations. The inner mounting locations should be spaced as evenly as possible between the outer mounting locations. Locations must match the frame location pattern.
- Position the mounting plate on the wall using the marks made previously to verify layout.



! WARNING The mounting plate **MUST** be secured to the structural frame on both sides of the Case Connectors inside the awning, or directly behind the Case Connectors. If not, damage over time to the mounting plate will occur, possibly resulting in detachment of the awning from the mounting plate. The Case Connector location can be easily seen when visually inspecting the awning in the closed position. There are 2 screws on the outside of the awning at the location of the Case Connector. If installing the mounting plate to a header board, there is potential for the Awning to bend the mounting plate or header board over time if the case connectors are not directly in line with the structural framing. Additional engineering may be required when using a header board.



12' EXTENSION

Extension	Inches	144								
Awning Length (Dim A)	Feet	14.8ft	15ft	16ft	17ft	18ft	19ft	20ft	21ft	
Case Connector Position (Dim B)	Inches	Motor Side: 9.5 Idler Side: 5.0	Motor Side: 9.5 Idler Side: 7.0	Motor Side: 14.0 Idler Side: 14.0		Motor Side: 26.0 Idler Side: 26.0				

10' EXTENSION

Extension	Inches	120									
Awning Length (Dim A)	Feet	12.3ft	13ft	14ft	15ft	16ft	17ft	18ft	19ft	20ft	21ft
Case Connector Position (Dim B)	Inches	Motor Side: 9.5 Idler Side: 5.0		Motor Side: 23.0 Idler Side: 23.0			Motor Side: 9.5 Idler Side: 5.0		Motor Side: 11.0 Idler Side: 11.0		

ATTACHING THE MOUNTING PLATE

Determine the best method to attach the plate to the wall. Examples for attaching are shown in figure 4 below. Bracket attach details are suggestions and may not cover all circumstances. If unsure, consult a builder or engineer prior to installation.

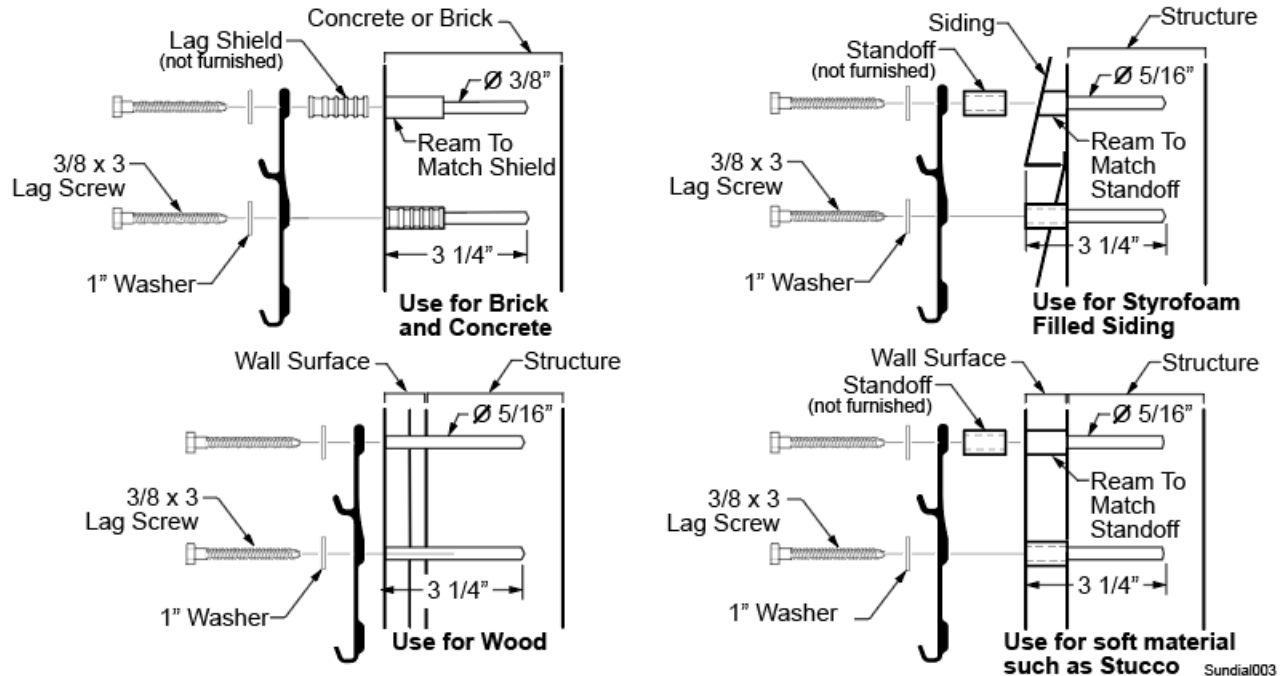


Figure 3

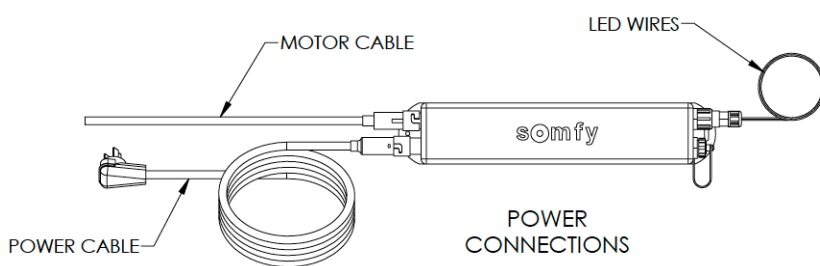
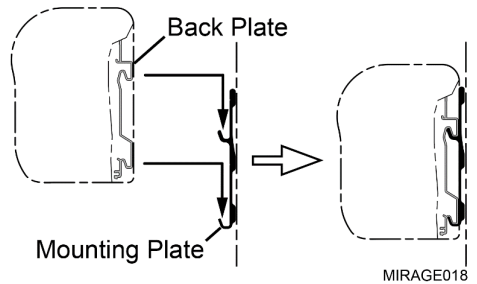
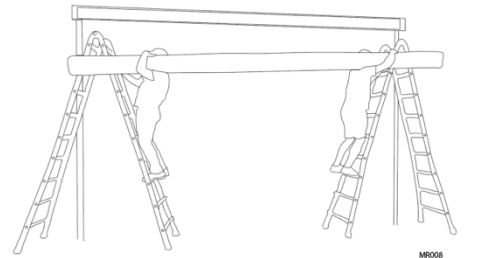
1. Determine the optimum positioning of the awning.
2. Determine where to drill through the mounting plate. Identify structural materials for anchoring the mounting plate.
3. Lag screws can be used for mounting into wood or aluminum frames.
 - 3.1. Using the plates as a template, drill 3/32" pilot holes for lag screws. You must drill the hole centered in the groove shown in Figure 3.
 - 3.2. Start at the approximate middle of the plate and drill through the top groove into the structural support.
 - 3.3. Drive the lag screw and washer into the structural support, do not tighten all the way.
 - 3.4. Level the mounting plate and drill additional 3/32" pilot holes through the mounting plate into the structural support near the ends of the mounting plate.
 - 3.5. Once you confirm the mounting plate is level, firmly drive all required mounting screws to secure the mounting plate.

NOTICE Make sure bracket is flush and plumb; shims might be necessary. Screws placed in locations other than as shown may not allow the awning to fit on the bracket.

MOUNTING THE AWNING

⚠ WARNING The Mirage awning is heavy. We recommend a lift with a mechanical advantage to position the awning immediately in front of the mounting plate. Then using at least two (2) people, move the awning into the hooks of the mounting plate.

1. Lift the awning into place. You must follow all workplace safety regulations at the location of awning installation. Consult the authority having jurisdiction in the installation location for further information. If regulations allow, a team lift using A frame ladders is also effective to lift and place the awning onto the mounting plate. The A frame ladders must be equal height, and a foot or two shorter than the mounting plate height. Lift the Mirage onto the ladders, then onto the mounting plate.
2. Set the awning into the hooks of the mounting plates.
3. Adjust the position of the awning horizontally as required.
4. Connect the awning to power.



SECURING THE AWNING

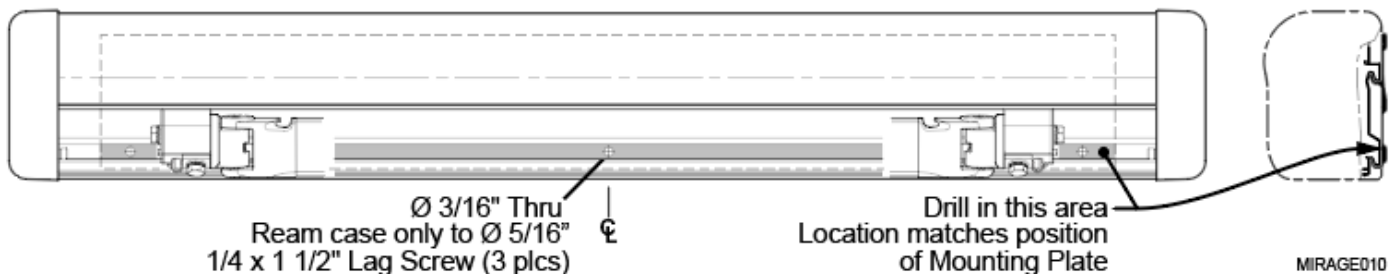
The awning must be secured as described below. This step can be done after the awning has been connected to power and the awning can be opened using the remote.

NOTICE For proper awning operation and structural integrity, the awning must be secured as described. Failure to secure the awning may result in damage to the awning and structure and void the warranty.

For the following steps, open the awning after completing the electrical installation.

1. Open the awning approximately 3 feet to access the back panel of the awning case.
2. Drill three (3) 3/16" holes through the case, mounting plate and into wall (do not go through interior surfaces of wall) in the approximate areas shown above.
3. Ream out the holes in the case only to 5/16".

Attach the awning case to the mounting plate and wall using three (3) 1/4 x 1 1/2" lag screws.



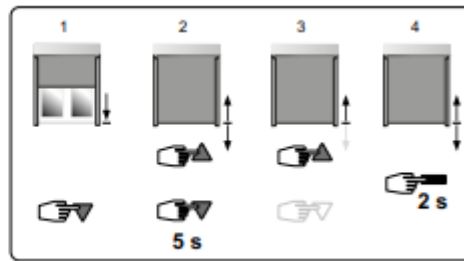
SETTING OPERATIONAL PARAMETERS

The operation settings of the awning are pre-set at the factory, including the fully extended position.

RE-ADJUST EXTENSION POSITION

To adjust the fully extended position from the factory setting, follow these instructions.

- 1- Move the motor to the DOWN end limit previously set in section 2.3 with the **DOWN** button.
- 2- Press **simultaneously for 5 seconds** the **UP** and **DOWN** buttons, the motor will run for 0.5 second in one direction, then in the other direction.
- 3- Move to the new position with the UP and DOWN buttons.
- 4- **Confirm the new position by pressing 2 seconds the STOP** button. The motor will run for 0,5 second in one direction and then in the other direction. *The new end limit setting is memorized.*



For more advanced parameter setting, including a complete reset of the system, please refer to **Somfy Motor Instructions (Ref 5063073C)**.

Note: Channel 1 of the remote operates the awning. Channel 2 of the remote operates the LED lighting, if applicable.

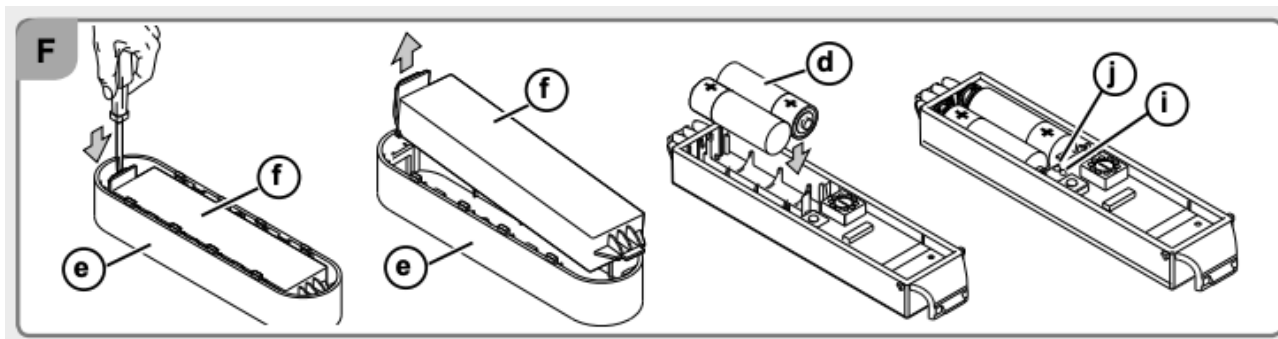
MOTOR SENSOR OPERATION

WARNING Wind is variable and a strong gust of wind can occur faster than the sensor can react and can quickly damage the awning. Do not leave the awning unsupervised at any time. You should immediately retract the awning if the wind is starting to affect the awning in an unsafe manner.

The wind sensor is paired to the awning at the factory at a default sensitivity level of 2 which is sufficient for most applications.

To replace the batteries (2, AAA 1.5V) follow these instructions.

1. Remove the sensor from the bracket on the inside of the lead rail at the left end of the awning.
2. Access the batteries as shown below.
3. Remove old batteries and insert new batteries (2, AAA 1.5V), carefully observing polarity markings. (green LED light will come on briefly to indicate proper insertion/sufficient battery level)
4. Reassemble sensor and reinstall it on the bracket on the inside of the lead rail.

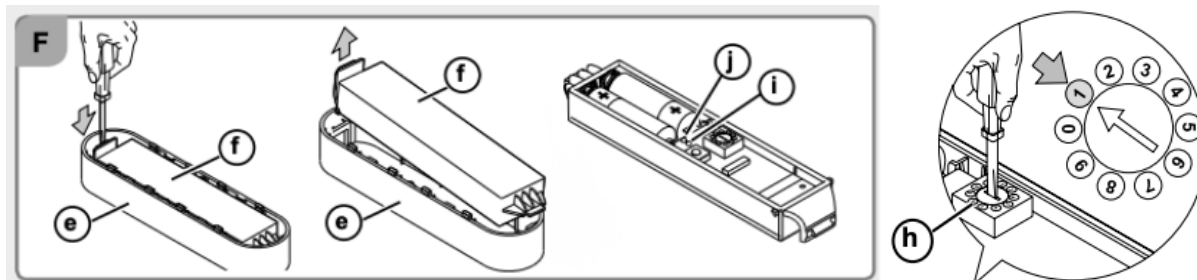


NOTICE

- When the batteries are replaced, the sensor settings will remain memorized.
- Never use rechargeable batteries for the sensor.
- If the awning retracts on its own after being extended for 30 to 60 minutes without any wind, this is an indicator that the batteries need to be replaced.

To change the sensitivity of the sensor.

1. Remove the sensor from the bracket on the inside of the lead rail at the left end of the awning.
2. Access the sensitivity adjustment switch.
3. Set the potentiometer (h) to the required threshold using a flat blade screwdriver.
 - a. Threshold 1: Light vibration will trigger the retraction of the awning.
 - b. Towards Threshold 9: Stronger vibration will trigger the retraction of the awning.

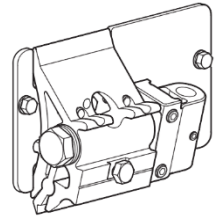


LED LIGHTING

The Mirage awning comes standard with LED lighting. The LED is connected to the Dimmable LED Receiver, which also provides power to the motor. One Dimmable LED Receiver will operate the awning motor and the LED lights.

PITCH ADJUSTMENT

NOTICE During installation or when the pitch of the awning is adjusted, it is important that the lead rail is parallel to the awning housing.



1. Extend the awning fully.

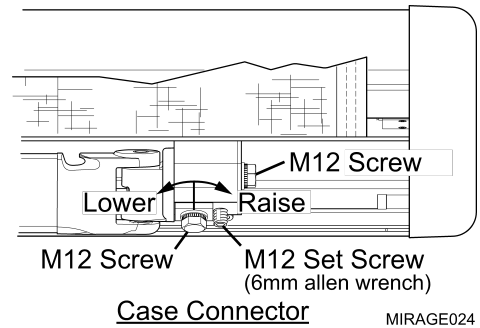
To Lower the Pitch:

2. SLIGHTLY loosen the M12 hex screw on the side of the knuckle.
3. On the front of arm knuckle turn the M12 hex screw COUNTERCLOCKWISE to lower the pitch.
4. Tighten the M12 setscrew until snug.

FF028

To Raise the Pitch:

5. SLIGHTLY loosen the M12 hex screw on the side of the knuckle.
6. Loosen the M12 set screw several rotations.
7. On the front of arm knuckle turn the M12 hex screw CLOCKWISE to raise the pitch.



Case Connector

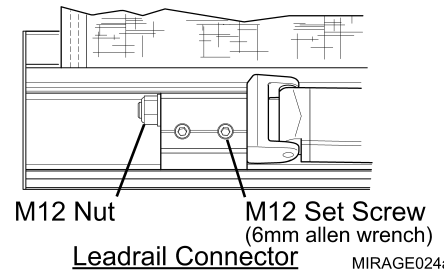
MIRAGE024

NOTE: When raising the pitch, it is helpful to have a second person lift on the lead rail.

8. Tighten the M12 set screw until snug.
9. Repeat steps 5 through 8 for the other end.
10. When the pitch adjustments are completed, tighten the M12 screws on the side of the knuckle.

When the pitch is adjusted, it is necessary to adjust the angle of the lead rail for the awning to close correctly.

11. SLIGHTLY loosen the M12 nut on the side of each arm knuckle on the lead rail.
12. Loosen the M12 set screw furthest from the nut of each knuckle.
13. Grasp the lead rail and rotate it to the desired angle and hold in position.
14. Tighten the M12 nut on the side of each arm knuckle to hold the lead rail in position.
15. Tighten the M12 set screw until it is no longer loose.



Leadrail Connector

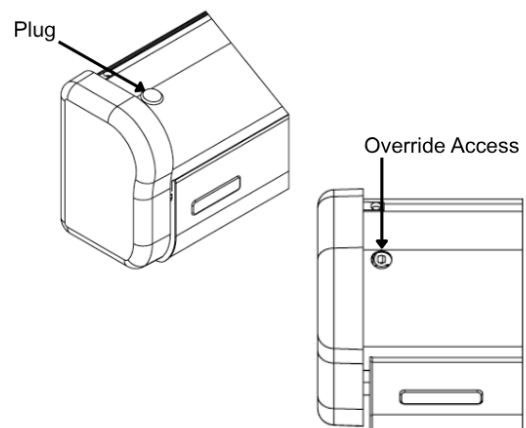
MIRAGE024a

MANUAL OVERRIDE

If 120V power is not available to the awning, the Mirage awning can still be safely retracted using the manual override. The override may be accessed from the top of the case above the motor housing.

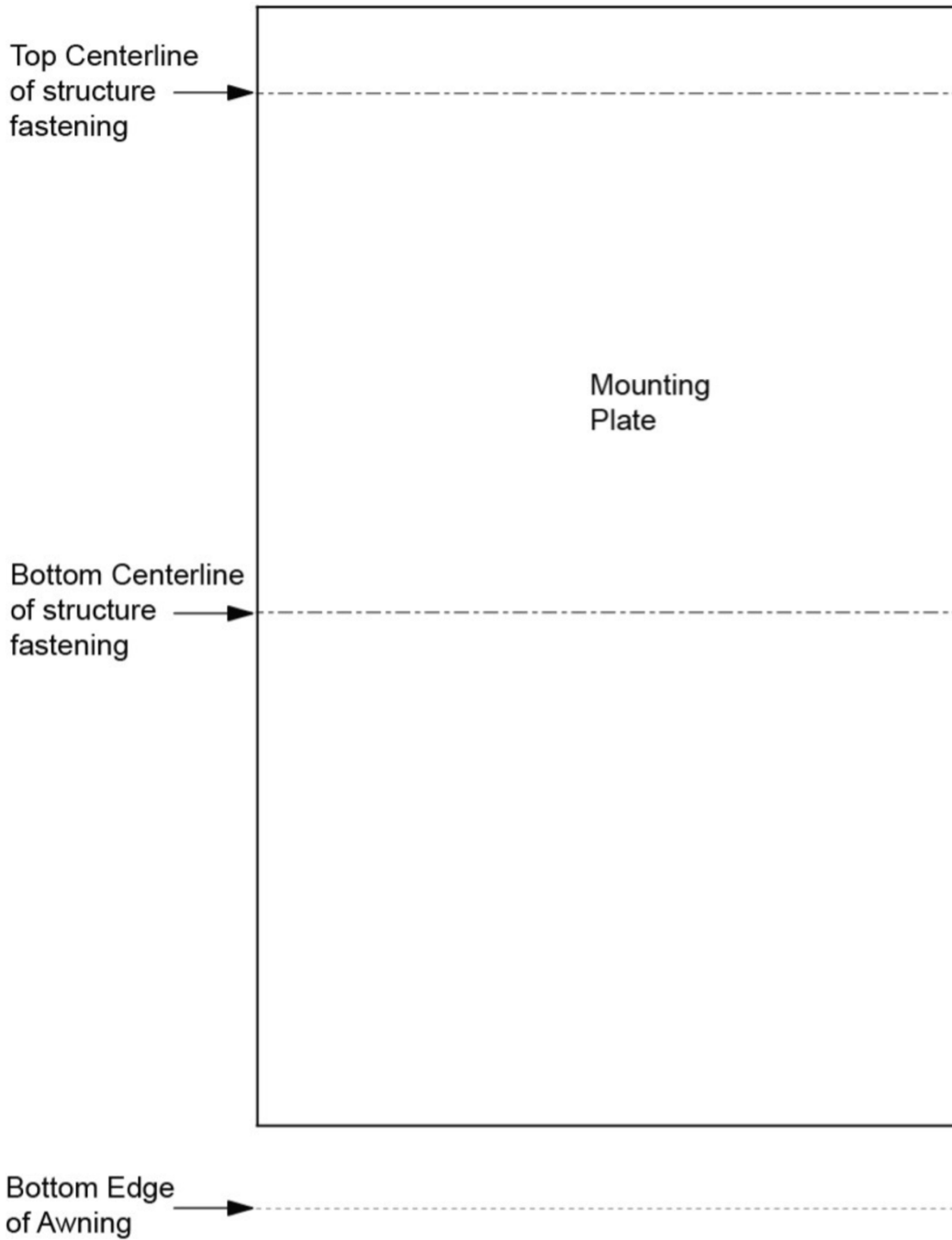
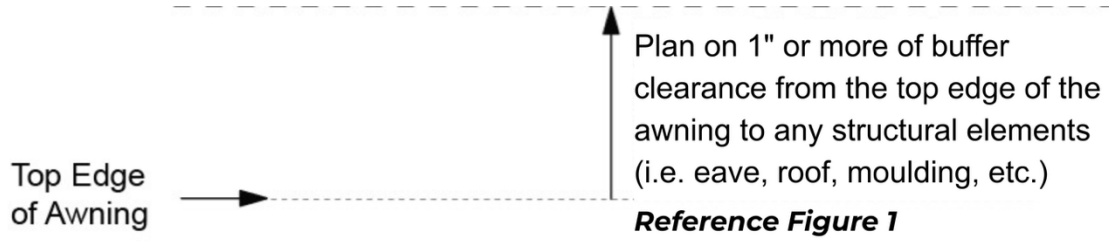
To use the top override access: Remove the plastic plug on the top of the case.

1. Chuck a 7mm hex key into a 3/8" battery powered drill or a manual 7mm allen key.
2. Insert the hex key into the manual override on the awning. For the top access, it will be necessary to locate the hex by feel; it is not visible with the key inserted in the hole.
3. Operate the drill in the forward (clockwise) direction to open the awning. Reverse the drill to close the awning.
4. When done, return the plastic plug into the top of the case.



NOTICE If mounting under an overhang, ensure there is still access to the manual override opening. See Figure 1 for reference.

MOUNTING TEMPLATE 1:1 SCALE



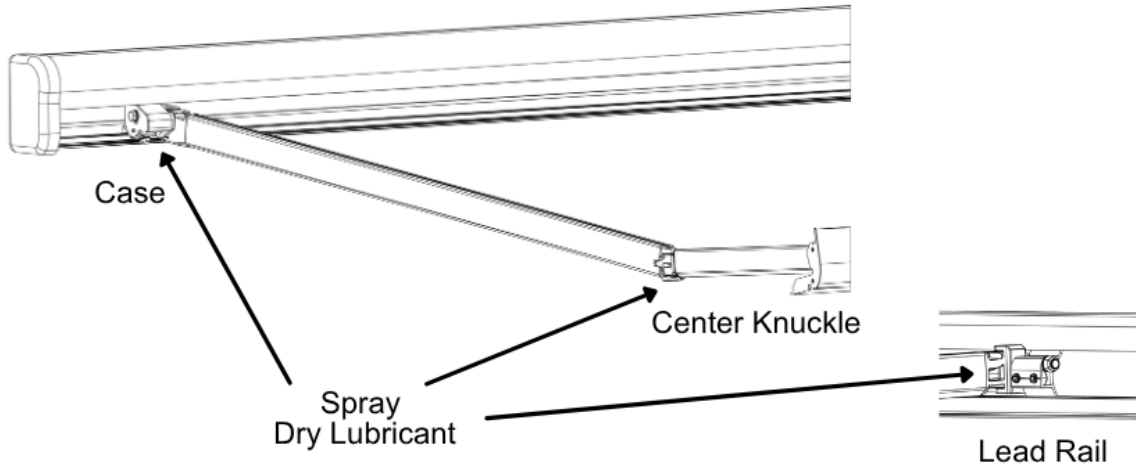
MR005

MAINTENANCE

If power to the awning is not available, the awning can be safely retracted using the manual override located on the idler (right) end of the case.

ARM NOISE

After a period of use, the arm knuckle joints may slide together slightly making a squeaking, squealing, or groaning noise; this is normal and not a reason for concern. To reduce the sound, apply dry film lubricant to the locations shown. Operate the awning and repeat if necessary.



CLEANING/WIPING THE AWNING CASSETTE

Maintaining a Sol-Lux Awning is easy. Just follow these basic steps:

- Always operate the awning according to the instructions.
- Periodically check that the fasteners are tight. Tighten if necessary.
- Keep the awning fabric and arms clean.

NOTICE Do not use oil-based cleaners or any caustic, granulated, or abrasive type cleaners on your Sol-Lux product.

1. One of the best ways to keep the fabric looking good and to delay the need for deep or vigorous cleanings is to hose fabrics off monthly with clear water. This practice will help prevent dirt from becoming deeply imbedded in the fabric. In most environments, a thorough cleaning will be needed every two to three years.
2. When it's time for a thorough cleaning, the fabric can be cleaned while still on the awning frame. · For Vinyl Fabric – Use a soft brush and warm water with soap. · For Acrylic Fabric – Use a stiff brush and warm water with soap.
3. When cleaning the fabric, it is important to observe the following:
 - Always use a natural soap, never detergent.
 - Water should be cold to lukewarm, never more than 100°F.
 - Air-dry only. Never apply heat to the fabric.
 - Always allow the fabric to dry thoroughly before rolling up the awning.

NOTICE Clean the exterior cassette hardware at least twice per year, or as needed, using fresh water to help prevent corrosion from salt and other contaminants.

SOL-LUX® NON-TRANSFERABLE LIMITED WARRANTY

THIS WARRANTY IS NON-TRANSFERABLE AND APPLIES ONLY TO THE ORIGINAL RETAIL PURCHASER.

Sol-Lux®, a brand of Carefree of Colorado (“Sol-Lux”), warrants to the original retail purchaser (“Purchaser”) that Sol-Lux products (“Product”) shall be free from defects in materials and workmanship under normal use and service, subject to the terms, conditions, limitations, and exclusions set forth below.

Sol-Lux’s sole obligation, and Purchaser’s sole recourse, under this Warranty is limited, at Sol-Lux’s sole discretion, to the repair or replacement of any defective component using new or factory-refurbished parts during the applicable warranty period.

1. WARRANTY PERIOD

- a. **Five (5) years** limited Warranty on the Product, excluding installation and labor.
- b. Warranty coverage begins on the **date the Product is shipped from Sol-Lux**, not the date of purchase, delivery, installation, repair, or first use.

2. WHAT IS COVERED

This Warranty exclusively covers Purchaser claims of defects in materials and workmanship under normal use during the warranty period (“Claims”) for the following components and conditions.

- a. **Awning Fabric** – applies to Claims of significant manufacturing defects only.
 - Excludes minor blemishes, normal wear, pinholes, color fading, or cosmetic variations.
- b. **Awning Extrusions, Hardware, and Finishes** – applies to Claims of significant manufacturing defects only.
 - Excludes minor blemishes, normal wear, oxidation, or gradual finish fading.

Freight on Approved Warranty Parts

Sol-Lux will, at its sole discretion, pay standard freight charges for approved warranty replacement parts using Sol-Lux’s chosen shipping method.

Labor

Labor required to replace or repair a defective component is covered for one (1) year from the date the Product is shipped from Sol-Lux.

Sol-Lux may, at its sole discretion, elect to provide labor through a certified Dealer or reimburse labor costs. Any labor reimbursement shall be determined by the Carefree Labor Flat Fee Payment Schedule.

Labor costs to access Sol-Lux components installed in concealed or hard-to-reach locations may be excluded from Warranty at Sol-Lux’s sole discretion.

3. WHAT IS NOT COVERED

This Warranty does **not** cover:

- a. Damage present but not reported at the time of delivery.
- b. Damage or failure not caused by defects in materials or workmanship, including but not limited to damage caused by neglect, misuse, accident, improper storage, wind, rain, water pooling, snow, ice, weather events, or acts of God.
- c. Damage from abuse, neglect, or failure to operate, maintain, or store the Product in accordance with Sol-Lux instructions.

- d. Damage from improper or inadequate installation, adjustment, or mounting, including failure to properly fasten the awning to adequate structural members.
- e. Damage arising out of or relating to electrical services, surges or equipment failures.
- f. Cosmetic damage and normal wear and tear, including periodic adjustments.
- g. Components not manufactured or sold by Sol-Lux.
- h. Use of non-approved third-party components or accessories not expressly authorized in writing by Sol-Lux.
- i. Damage resulting from leaving retractable awnings extended during adverse weather conditions.
- j. Stretching of fabric or damage to structural components caused by external factors such as wind or water pooling.
- k. Failure or damage to lateral arms or arm components.
- l. Any product purchased from a non-authorized dealer or third-party reseller.
- m. Labor costs associated with installation, removal, or reinstallation of an awning.
- n. Freight expenses to and from Sol-Lux, unless expressly stated otherwise herein.
- o. All claims arising from the use of the Sol-Lux Mobile App and related software, which is provided “as is” without warranty of any kind, express or implied.
- p. No person or entity other than Sol-Lux is authorized to make any representations or warranties regarding the Product.
- q. Any incidental, indirect, or consequential damage, including loss of use, property damage, or economic loss.

This Warranty is not transferable. Any removal, modification, or alteration of any Product component or safety device shall void this Warranty in its entirety.

4. PURCHASER RESPONSIBILITIES

To maintain Warranty eligibility, the Purchaser must:

- a. Retain and provide the original, **dated proof of purchase**.
**Note that Sol-Lux may choose to waive this requirement at its sole discretion if Sol-Lux is in possession of the Product warranty registration.*
- b. Submit a warranty claim to Sol-Lux of missing or damaged parts **within thirty (30) days of delivery** as set forth in Section 5. Failure to do so voids replacement eligibility.
- c. Inspect the Product upon delivery for condition and proper orientation and immediately report any non-conformity.
- d. Ensure the Product is installed strictly in accordance with the applicable Sol-Lux installation instructions.
- e. Perform all routine maintenance as outlined in accordance with the applicable Sol-Lux product documentation.
- f. Operate, store, and maintain the Product responsibly and in accordance with all instructions.
- g. Keep fabric dry and free of debris prior to retraction. Never store wet fabric for extended periods.
- h. Retract awnings during inclement weather such as wind, rain and snow, or when unattended.
Note: Wind and sun sensors are to be used as supplemental protection only. The use of these components does not guarantee damage prevention.
- i. Provide photographs, videos or other evidence of claimed defects upon request.
- j. Obtain a Return Authorization (RA) prior to returning any Product or component, and return items freight prepaid pursuant to further instruction from Sol-Lux.

5. WARRANTY CLAIM PROCEDURE

To initiate a Warranty Claim, contact Sol-Lux Customer Service in writing during the warranty period.

Sol-Lux may, in its sole discretion, require additional support for a Claim, including but not limited to:

- a. Proof of purchase
- b. Detailed description of the issue
- c. Photographic or video evidence

Sol-Lux reserves the right to:

- a. Supply only the parts required to address the approved Claim
- b. Inspect returned components prior to approval of Claim

If Sol-Lux determines upon inspection that a submitted claim is invalid, inaccurate or misrepresented, Sol-Lux reserves the right to i) charge the Purchaser for all incurred shipping, handling, and inspection costs and ii) decline Purchaser's request for Warranty service.

6. SOLAR-POWERED BATTERY COMPONENTS

Solar-powered battery components include a five (5) year limited, prorated Warranty covering manufacturing defects:

- **Years 0-2:** Sol-Lux will provide Purchaser with a replacement solar battery at no charge.
- **Years 2-5:** Sol-Lux will provide Purchaser the opportunity to purchase a replacement solar battery through Sol-Lux at **50% off** the current standard retail price.
- **Labor costs, installation and any other related costs or expenses** associated with battery installation are **not** included in this Warranty.

7. LIMITATION OF LIABILITY

THIS WARRANTY PROVIDES SPECIFIC LEGAL RIGHTS; ADDITIONAL RIGHTS MAY EXIST UNDER APPLICABLE LAW.

Except as expressly stated, Sol-Lux disclaims all other warranties, express or implied by law, course of dealing, course of performance, usage of trade, or otherwise, including warranties of merchantability or fitness for a particular purpose.

Notwithstanding anything in the foregoing, Sol-Lux's total liability shall not, under any circumstance, exceed the purchase price paid for the Product (excluding freight, taxes or other associated costs). Sol-Lux shall not be liable for any claims arising from or related to personal injury, property damage, economic, incidental, indirect or consequential losses.

8. NO CHANGES TO WARRANTY

No individual, dealer, installer, company or entity other than Sol-Lux is authorized to alter, modify or extend this Warranty.

9. PRODUCT CHANGES

Sol-Lux reserves the right to improve or modify product design or components without obligation to retrofit previously manufactured or installed products.

**PAGE LEFT BLANK
INTENTIONALLY**