



INSTALLATION MANUAL

FREEDOM

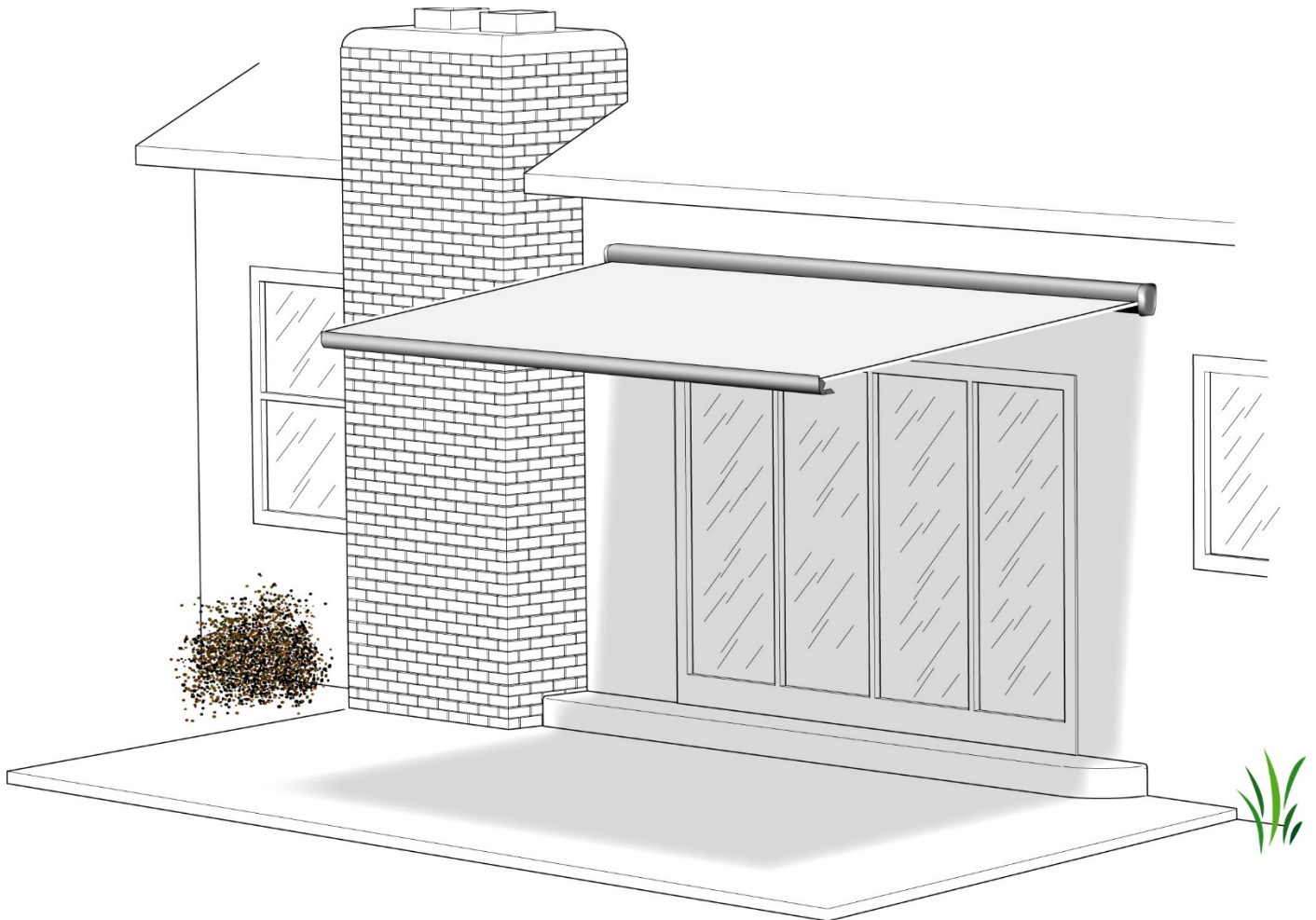
RESIDENTIAL AWNING

12V MOTORIZED LATERAL ARM BOX AWNING

Residential



Read this manual before installing or using this product. Failure to follow the instructions and safety precautions in this manual can result in personal injury and/or cause the product to not operate properly.



QUICK SETUP GUIDE

This Quick Setup Guide provides a fast, high-level checklist for installers who are already familiar with Sol-Lux awning installation principles. It summarizes the minimum required steps to safely mount, connect, and operate a Sol-Lux Freedom or Mirage patio awning. For complete instructions, always refer to the full installation manual.

PRE-INSTALLATION CHECKLIST

- √ Confirm awning model, size, and configuration match the original purchase order.
- √ Verify the installation location is free of obstacles: lights, vents, trim, gutters, etc.
- √ Identify structural framing behind mounting surface (studs, headers, or solid structure). *Siding or fiberglass alone is NOT sufficient support.*
- √ Ensure appropriate fasteners for wall type are available (lag screws, structural anchors).
- √ Confirm 110V power access (Mirage) or solar charging alignment (Freedom).
- √ Have two installers or a lift device available – both awnings are heavy.
- √ Fully charge the battery before installation (Freedom).

TOOLS REQUIRED

- Drill & impact driver
- Level (4 ft recommended)
- Stud finder
- Tape measure
- 3/16" and 5/16" drill bits (for mounting plates)
- #6 x 3/8" screws (included with awning)
- 7mm hex key (manual override)
- Protective eyewear and gloves
- 1/4" and 3/8" Hex Drivers
- 5/16" Hex Driver with 3" Extension

1. MOUNTING PLATE SETUP

1. Snap a level chalk line at desired mounting height.
2. Identify stud/frame layout and mark on wall.
3. Transfer framing pattern to the mounting plate
4. Verify **case connector** locations align with structural framing – this is critical to prevent long-term structural failure.
5. Drill clearance holes in mounting plate based on type of mounting fastener to be used.
6. Position mounting plate on chalk line; ensure it is level.
7. As appropriate, drill pilot holes into structural framing.
8. Install mounting fasteners, starting from center outward; do not overtighten.

2. MOUNTING THE AWNING

1. Use a lift or at least **two installers** to raise the awning to the plate.
2. Hook the awning case onto the mounting plate bracket.
3. Visually verify that the awning is fully seated into the mounting bracket.
4. Route power cable(s) as required.

3. SECURING THE AWNING

FREEDOM	MIRAGE
1. Fasten the awning to the bracket with three (3) 6 X 3/8" screws through bottom of bracket into case.	1. Open the awning ~3 ft using manual override or motor. Remove the power source to the awning, if applicable.
2. Open the awning. (Remove the power source to the awning)	2. Drill three (3) 3/16" holes through case, plate, and into wall (not through interior).
3. Install two (2) #10 x 5/8" self-drilling screws and one (1) #10 X 1" self-drilling screw at each case connector.	3. Ream out the holes in the case only to 5/16.
4. Restore power source to awning.	4. Install three (3) 1/4" X 1 1/2" lag screws to secure the awning to the mounting bracket.
	5. Restore power source to awning, if applicable.

4. OPERATIONAL TESTING

- √ Confirm that full open/close operation is smooth.
- √ Verify fabric tension at fully extended position.
- √ Check lead rail alignment with awning housing.
- √ Adjust pitch if needed (refer to installation instructions).
- √ Test auto-retraction via motion sensor.

FINAL SAFETY CHECKS

- Ensure all fasteners are tight.
- Confirm awning is fully seated into the mounting bracket.
- Verify cable strain relief.
- Make sure homeowner understands:
 - Not to leave awning extended during wind
 - Manual override location
 - Cleaning/maintenance basics

TABLE OF CONTENTS

Quick Setup Guide	2
Proprietary Statement	5
Safety Information	6
Product Overview	7
Component Checklist	8
Installation	9
Required Pre-Installation Parameters	9
Mounting Plate Layout and Installation.....	10
Attaching the Mounting Plate.....	10
Mounting the Awning	12
Powering the Awning.....	13
Securing the Awning.....	15
Setting Operational Parameters	15
Optional LED Lighting	17
Pitch Adjustment	18
Manual Override	18
Maintenance	20
Sol-Lux® Non-Transferable Limited Warranty	21

PROPRIETARY STATEMENT

The Freedom Awning is a product of SOL-LUX, located in Broomfield, Colorado, USA. The information contained in or disclosed in this document is considered proprietary to SOL-LUX. Every effort has been made to ensure that the information presented in the document is accurate and complete. However, SOL-LUX assumes no liability for errors or for any damages that result from the use of this document.

The information contained in this manual pertains to the current configuration of the models listed on the title page. Earlier model configurations may differ from the information given. SOL-LUX reserves the right to cancel, change, alter or add any parts and assemblies, described in this manual, without prior notice.

SOL-LUX agrees to allow the reproduction of this document for use with SOL-LUX products only. Any other reproduction or translation of this document in whole or part is strictly prohibited without prior written approval from SOL-LUX.

SAFETY INFORMATION



This is the safety alert symbol. It is used to alert individuals to potential personal injury hazards. Obey all safety messages that follow this symbol to avoid possible personal injury or death.



Indicates a hazardous situation, which if not avoided, could result in death or serious bodily injury.



Indicates a hazardous situation, which if not avoided, may result in minor or moderate bodily injury.



Indicates a situation that may result in equipment-related damage.

General Safety:

WARNING This product can expose you to chemicals including Di-isodecyl phthalate (DIDP), Vinyl Chloride and Formaldehyde, which are known to the state of California to cause cancer or birth defects or other reproductive harm. For more information visit www.P65warnings.ca.gov

WARNING The Freedom awning is built with a wind sensor. During vibration and movement of the awning in the open position, if the sensor detects enough movement, it will instruct the motor to automatically retract the awning. However, wind is variable, and a strong gust of wind can occur faster than the sensor can react, and the wind can quickly damage the awning, potentially breaking loose from the mounting plate. An unsecured awning striking a person may result in injury or death. Do not leave the awning unsupervised at any time. You should immediately retract the awning if wind is starting to affect the awning in an unsafe manner.

WARNING The Freedom awning has spring loaded arms which push the awning open. The motor and the canopy resist the spring-loaded opening action. Extreme care must be taken when working with the awning to prevent the unintentional release of the spring-loaded arms. Do not stand on a ladder in front of the awning if it is unsecured when performing repairs or maintenance. You must secure the awning first by tying the arms together or looping a retaining strap of sufficient strength around the case and lead rail to prevent an unintentional full release of the awning.



Shock Hazard. Always disconnect battery or power source before working on or around the electrical system.



Always wear appropriate safety equipment (i.e. goggles) during installation or maintenance.



Always use appropriate lifting devices and/or helpers when lifting or holding heavy objects.



When using fasteners, do not over tighten. Soft materials such as fiberglass and aluminum can be “stripped out” and lose the ability to grip and hold.

PRODUCT OVERVIEW

The Freedom Awning is a state-of-the-art lateral arm awning. When retracted, the housing provides protection against the elements while the streamlined styling blends in with the house. The full tension canopy fabric allows the awning to be partially or fully extended for best shade coverage.

Each unit is equipped with lateral support arms.

Freedom Awning Specifications:

- Fully retractable and self-storing
- The sealed awning motor operates on standard 12VDC on select models, or direct power from 110VAC, 60Hz on other models
- Case and frame are constructed of high-strength aluminum extrusions, protected with a polyester paint finish
- Stainless steel fasteners and hardware.

SPECIFICATIONS

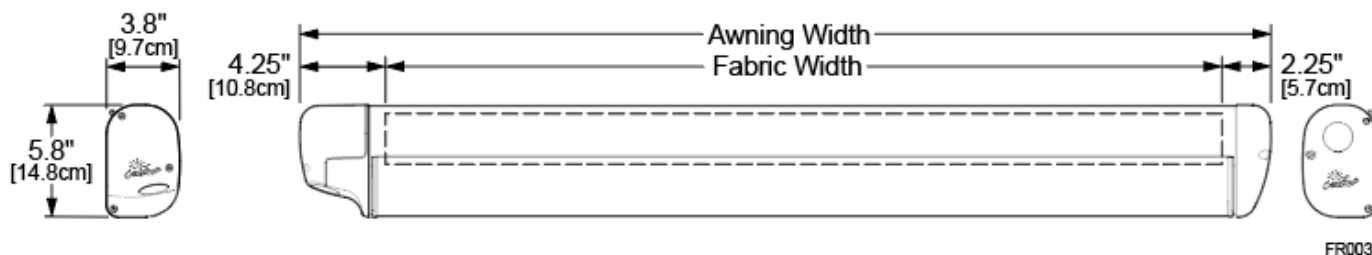


Figure 1

LENGTH:	Feet	8'	9'	10'	11'	12'	13'	14'	14.7'
APPROX WEIGHT:	LBS.	46	50	56	59	63	66	70	72
EXTENSION:	Inches	68	79	94	94	94	94	94	94

POSITION CONTROL:	12V Motorized w/ tubular motor
CONTROLLER:	Standard: – Somfy® Awning Controls

MOTOR SPECIFICATIONS

<i>Motor Type</i>	Tubular
<i>Power</i>	12VDC <i>Minimum:</i> 10VDC <i>Output:</i> 30 Watts
	<i>Nominal Current:</i> 2.4Amps <i>Max Current:</i> 2.4Amps (stall @ min voltage)
<i>Torque</i>	<i>Continuous:</i> 6Nm/4.4 ft-lbs.
<i>Speed</i>	18 rpm

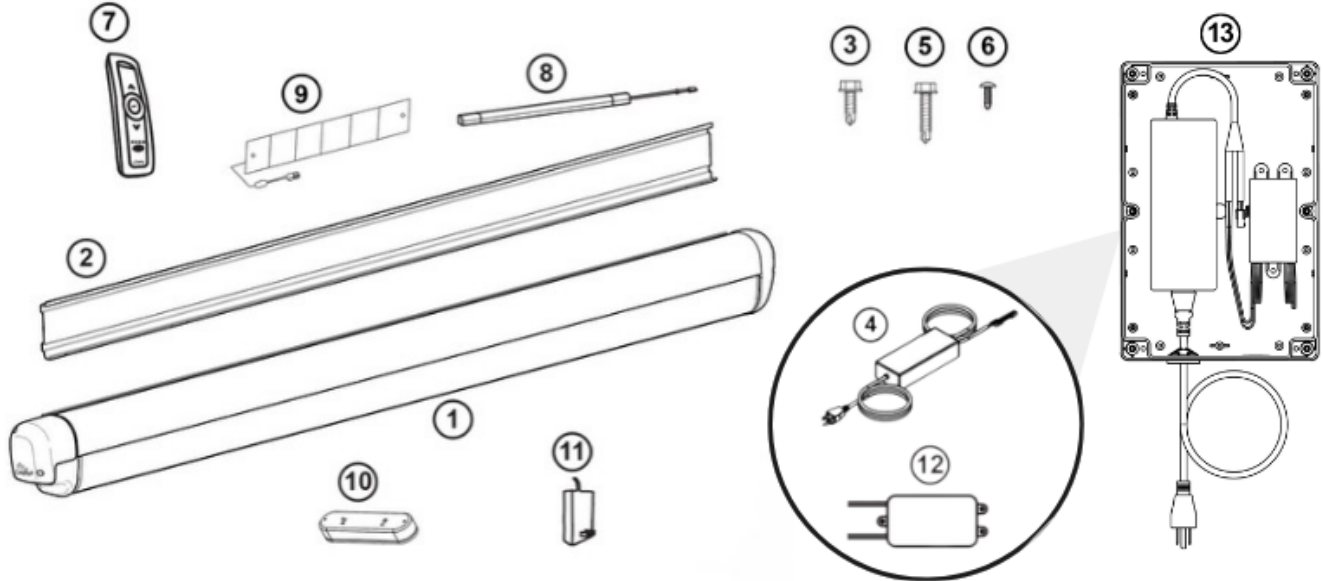
COLORS AVAILABLE

<i>Case</i>	White or Black
<i>Fabric</i>	Acrylic – Please contact Sol-lux for color availability

OPERATION PARAMETERS

<i>Battery life – (Battery models only)</i>	The Somfy battery at full charge should last 70 to 80 open/close cycles – With the attached solar charger the battery will be trickle charged during solar periods and will last longer. Due to the variations in solar intensity and mounting effects of the solar panel we cannot estimate the number of cycles with the solar panel attached.
<i>Battery Charging</i>	Please refer to Somfy Battery instructions 5144624A
<i>Wind Sensor</i>	Please refer to Somfy Eolis 3D Wire free RTS instructions 5050583D,5050585D,5052575D
<i>Remote</i>	Please refer to Somfy Situo 5 RTS II instructions 5150179B or Telis 4 RTS Patio Transmitter
<i>Solar Panel</i>	Please refer to Somfy Solar Panel instructions 5117585B
<i>Safety Instructions</i>	Please refer to Somfy Safety instructions 5160994A, 5160996A, 5117827B
<i>Motor Instructions</i>	Please refer to Somfy motor instructions 5151225A
<i>LED Receiver</i>	Please refer to Somfy 12V LED Receiver instructions 5112070A

COMPONENT CHECKLIST



FF006a

Figure 1

<input checked="" type="checkbox"/>	ITEM	DESCRIPTION		QTY	NOTE
<input type="checkbox"/>	1	Awning Assembly		1	1
<input type="checkbox"/>	2	Mounting Plate		1	2
<input type="checkbox"/>	3	Screw, Self Drilling	#10 x 5/8"	4	3
<input type="checkbox"/>	4	Power Supply 12V 10Amp	Depending on model	1	4
<input type="checkbox"/>	5	Screw, Self Drilling	#10 x 1"	2	3
<input type="checkbox"/>	6	Screw, Self Drilling, Hex Head	#6 x 3/8"	3	3
<input type="checkbox"/>	7	Somfy Awning Remote		1	5
<input type="checkbox"/>	8	Somfy 12 Volt DC external battery	Depending on model	1	6
<input type="checkbox"/>	9	Somfy Solar Panel	Depending on model	1	6
<input type="checkbox"/>	10	Somfy Wind Sensor (located inside the awning)		1	7
<input type="checkbox"/>	11	Somfy DC Charger	Depending on model	1	6
<input type="checkbox"/>	12	Somfy 12V LED Receiver	Depending on model	1	4
<input type="checkbox"/>	13	Power Supply and LED Receiver Enclosure	Depending on model	1	

- NOTES:
- Awning configuration is specified at time of order, including awning length, fabric etc. Check awning assembly against original purchase order.
 - Mounting Plate is provided with the awning. Do not modify the length of the mounting plate.
 - Screw (item 3) quantity is 2 per lateral spring arm. Screw (item 5) quantity is 1 per lateral spring arm. Screw (item 6) is quantity 3, 1 at each end of the mounting plate and 1 in the middle. Fasteners to attach mounting plate to the structure are not provided, and quantity varies per length and structural requirements.
 - Power Supply is available on select models. Items 4 and 12 are required for LED lighting and are shipped inside an enclosure.
 - Two styles of Somfy remotes are available. Interior rated remote and Exterior rated remote. Both remotes can operate the awning. Remote style is specified at time of purchase.
 - These components are provided if the customer orders the Battery powered Freedom Awning.
 - All Freedom awnings are supplied with a Somfy Wind Sensor standard, which is paired to the motor prior to shipment.

INSTALLATION

For structural and operation integrity, the Freedom awning must be mounted with the included mounting plate.

Prior to mounting the awning, ensure that the awning will not interfere with light fixtures, exhaust vents, openings, doors, etc.

REQUIRED PRE-INSTALLATION PARAMETERS

Prior to installing the awning, the installer must determine the layout of the specific construction elements to successfully mount the awning.

1. Determine the location, size and type of structural framing in the area where the awning is to be mounted.
 - There must be structural framing at the awning mount locations. Fiberglass or sheet metal siding alone is **NOT** strong enough to support the weight of the awning!
 - If the framing is not obvious, it may be possible to use a stud finder or other similar device.
 - If in doubt, contact an engineer or contractor to determine the type and position of the structural frame.
2. Determine the mounting locations for the control box and switch assemblies.
 - **For Battery installations**, the battery should be mounted underneath the awning case protected from UV and weather. The Solar panel should be mounted near the awning and oriented toward maximum sun exposure. Both the battery and solar panel connect to the motor.

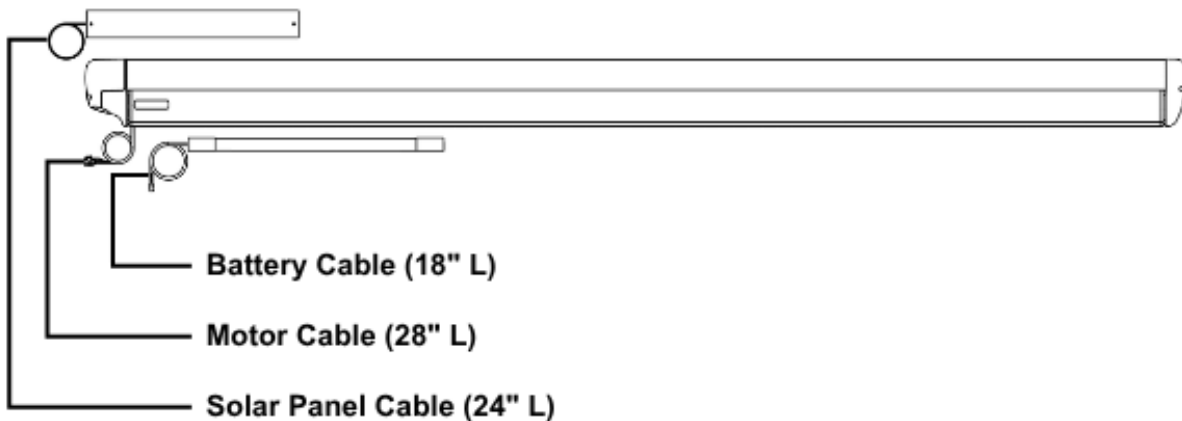


Figure 2a

- **For 12V power supply installations**, the 12V power supply should be mounted in accordance with the authority having jurisdiction wiring requirements for outdoor electrical appliances. The LED wires and motor cable connect to the power supply inside the enclosure.

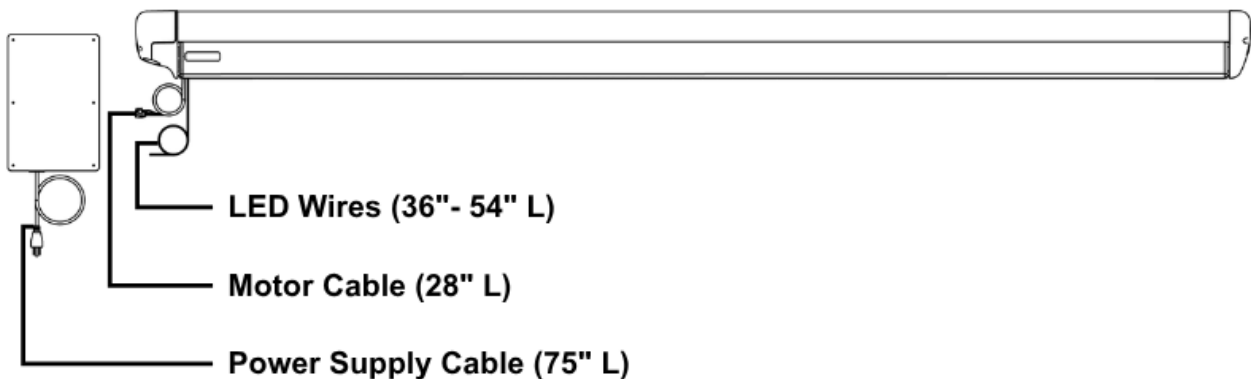


Figure 2b

MOUNTING PLATE LAYOUT AND INSTALLATION

- Determine the location of the awning:
 - General profile dimensions are shown in Figure 1
 - Mounting area must be plumb and clear of obstacles.
 - The mounting plate is shorter than the awning (Reference Figure 4). Do not modify the length of the mounting plate.
 - The awning is factory set with minimum pitch. Mounting height above a door opening or window must be adjusted if a greater pitch is desired. The chart below provides the approximate distance from the bottom of the awning to the top edge of the projection when the awning is set at MINIMUM and MAXIMUM pitch:

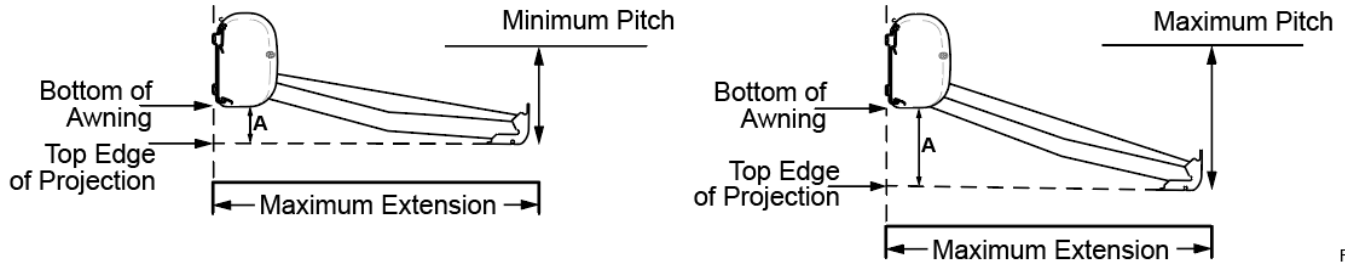


Figure 3

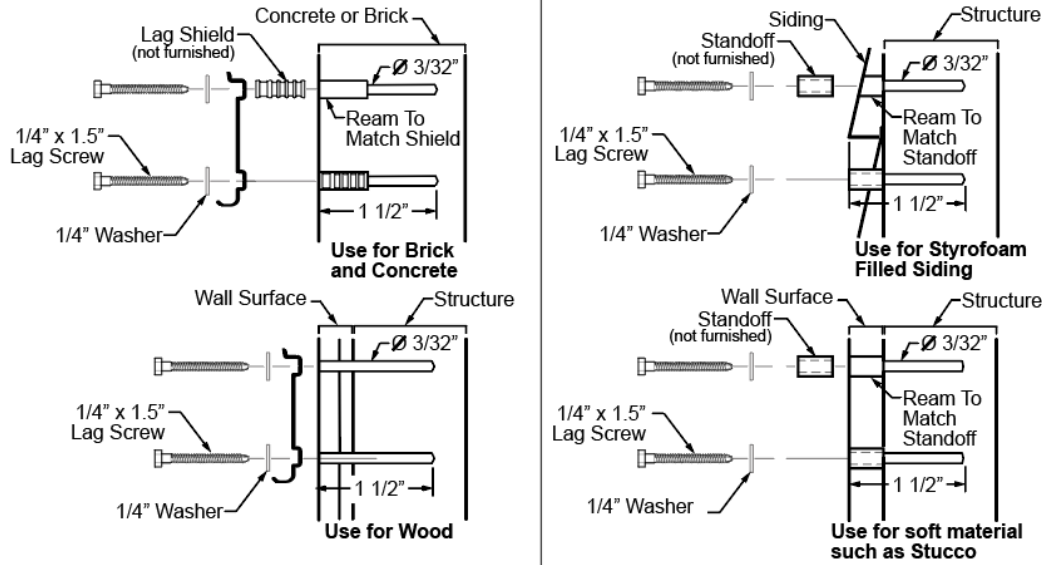
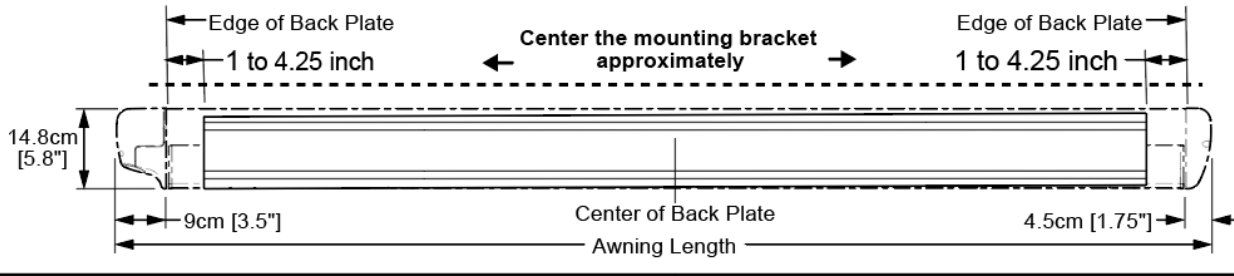
FR002

Awning Length	8ft to 8.4ft	8.5ft to 9.7ft	9.8ft to 14.7ft
MAXIMUM EXTENSION	68in	79in	94in
A @ MIN PITCH AND MAX EXTENSION	4.5in	6in	6.5in
A @ MAX PITCH AND MAX EXTENSION	19in	23in	26.5in

- Mark the mounting plate position with a chalk line ensuring that it is level. Include the end points of the mounting plate.
 - Use a non-permanent method of marking to temporarily mark the location of the structural framing in the mounting area.
 - Transfer the frame pattern to the mounting plate.
 - Below is the minimum number of required mounting locations. Each location uses two screws.
- | Awning Length | 8ft | 9ft | 10ft | 11ft | 12ft | 13ft | 14ft | 14.7ft |
|----------------|-----|-----|------|------|------|------|------|--------|
| # of Locations | 4 | | | | 5 | | | |
- Mark the mounting locations on the plate. Inner mounting locations shall be evenly spaced between the outer mounting locations. All locations must align with the frame pattern.
 - Position the mounting plate on the wall using the marks made previously.
 - Determine the best method to attach the plate to the wall. Examples for attaching are shown below. Bracket attach details are suggestions and may not cover all circumstances. If unsure, consult a builder or engineer prior to installation.

ATTACHING THE MOUNTING PLATE

- Determine the optimum positioning of the awning.
 - The centerline of the awning fabric is offset from the centerline of the awning assembly. To align the center of the fabric, use the backplate of the awning assembly for measurements.
 - The bottom of the mounting plate should be 11" above any openings or frames to avoid interference when the awning is installed. Dimensions are based on the steepest pitch. The height can be reduced by reducing the pitch.



FF004a

Figure 4

3. Determine where to drill through the mounting plate. Identify structural materials for anchoring the mounting plate.
4. **⚠ WARNING** The mounting plate **MUST** be secured to the structural frame on both sides of the Case Connectors inside the awning, or directly behind the Case Connectors. If not, damage over time to the mounting plate will occur, possibly resulting in detachment of the awning from the mounting plate. The Case Connector location can be easily seen when visually inspecting the awning in the closed position. There are 3 holes on the outside of the awning at the location of the Case Connector. If installing the mounting plate to a header board, there is potential for the Awning to bend the mounting plate or header board over time if the case connectors are not directly in line with the structural framing. Additional engineering may be required when using a header board.

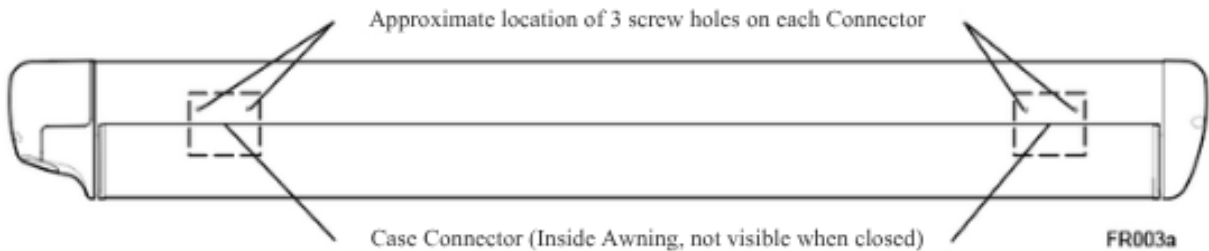


Figure 5

5. Lag screws can be used for mounting into wood or aluminum frames.
 - 5.1. Using the plates as a template, drill 3/32" pilot holes for lag screws. You must drill the hole centered in the groove shown in Figure 4.
 - 5.2. Start at the approximate middle of the plate and drill through the top groove into the structural support.

- 5.3. Drive the lag screw and washer into the structural support, do not tighten all the way.
- 5.4. Level the mounting plate and drill additional 3/32" pilot holes through the mounting plate into the structural support near the ends of the mounting plate.
- 5.5. Once you confirm the mounting plate is level, firmly drive all required mounting screws to secure the mounting plate.
6. Use the dimensions shown to locate the routing hole for the awning motor cable if the electrical components are to be mounted inside the structure or building.

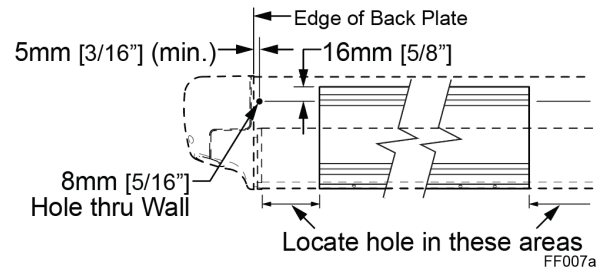
NOTES: The hole location can be in the areas shown to avoid interior framing, and electrical components that could be damaged or interfere with the hole location.

Ensure that the awning cable is accessible after routing.

The cable extends from the awning about 28 inches depending on the awning configuration. If the final routing to the power enclosure location is greater than the supplied wire, the installer must splice additional wire to the awning cable. Ensure that the new wire matches the gauge of the existing wire. An optional 16.4-foot extension cable is available for purchase (060880-001).

Wire and splices must be furnished by the installer.

This is a preliminary step; wiring is completed after the awning is mounted.



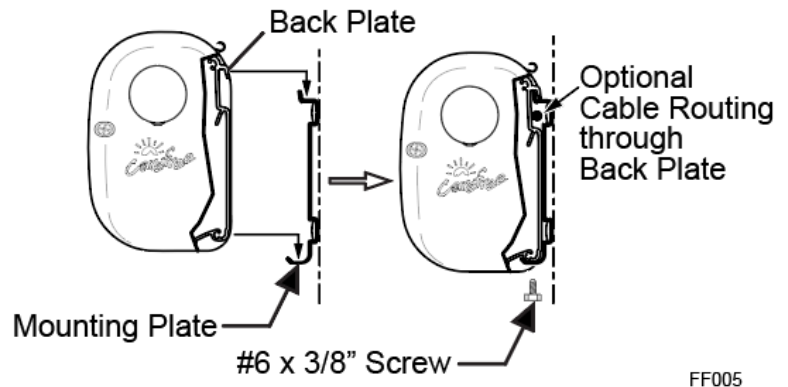
MOUNTING THE AWNING

1. Set the awning into the hooks of the mounting plates.

WIRING CONSIDERATIONS

Route the awning cable through the hole drilled previously while lifting the awning into position.

Tip: If the wire is routed along the back of the case, use small pieces of tape to hold the wire in place while lifting the awning.



2. Adjust the position of the awning horizontally as required.

WARNING You must ensure that the entire awning is seated into the mounting plate completely. Failure to verify if both ends are not seated fully could allow the awning to dismount from the mounting plate during the remaining steps of the installation.

NOTICE If any extra force is required to engage the awning to the mounting plate, the mounting plate is not flat and will require shimming. The mounting plate **MUST** be mounted flat to allow the awning to snap on easily. Failure to do so will result in improper operation of the awning.

3. Firmly hold the awning in the mounting plate and attach the awning case to the mounting plate using three (3) #6 x 3/8inch screws through the bottom of the bracket into the awning case. Predrill the holes with a #32 drill bit (.116inch)

POWERING THE AWNING

Once the awning is mounted onto the mounting plate, it is temporarily secured. At this time, the awning needs to be powered to complete the installation.

BATTERY/SOLAR MODELS

1. Fully charge the battery the day before installation.
2. Connect the electrical lead of the awning to the battery. The battery should have sufficient charge to operate the awning prior to charging. If the awning will not move, please charge the battery to a full charge, and then proceed.

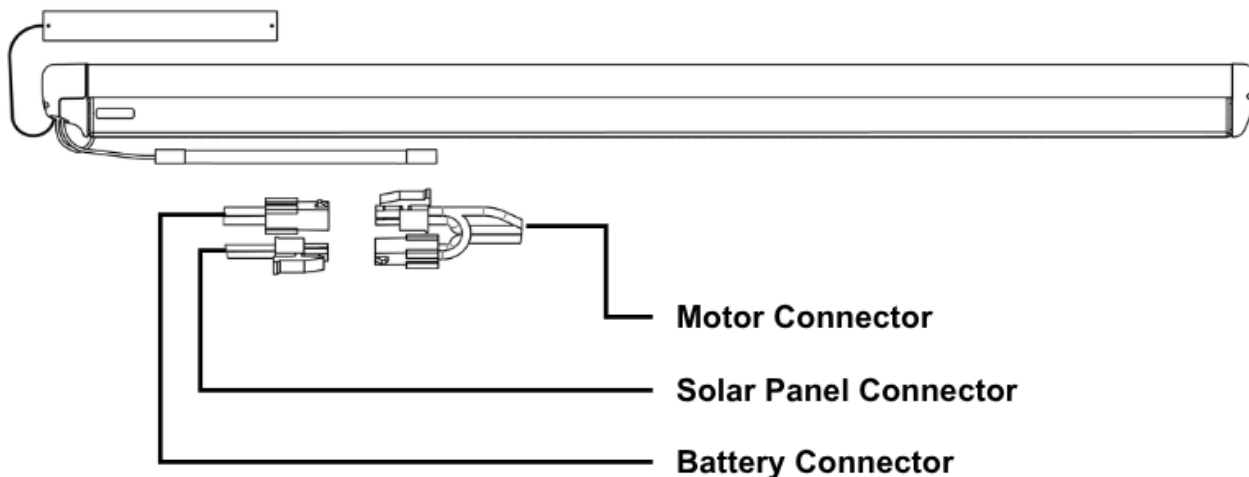


Figure 6a

TIP: The motor, battery, and solar panel cables/wires may be concealed under the outer end cap.

3. Using the remote, open the awning by pressing the down arrow button (If the up-arrow button opens the awning, this can be reversed. Follow the instructions for the Somfy remote and for the 12VDC motor.
4. Open the awning to full extension. Verify that the awning can operate fully without obstruction.
5. Route the battery to an accessible location, along with cable management based on the customer's requirements. This location should be dry and protected from the weather. The battery connection should be accessible for powered charging if necessary. Attach the battery in a location that is protected from rain/snow.
6. Attach the Solar panel to the motor connection. Once attached, route the cables based on the customer's requirements and mount the solar panel in an area that is accessible to the southern for maximum solar trickle charging of the battery. Other orientations are permissible.

NOTICE Do NOT fasten the battery or solar panel directly to the awning cassette housing. Failure to do so can cause damage to the awning fabric canopy.

7. If the battery is low, it can be charged using the Somfy DC Charger. Disconnect the battery from the awning motor and plug the DC charger connector to the battery. Then plug the AC charger adapter to a nearby 110VAC, 60Hz outlet. It will take approximately 210 minutes to fully charge the battery. It is expected that with the solar trickle charger, the battery may only need to be charged 1 or 2x a year.
8. Proceed to Securing the Awning while the awning is open.

DIRECT POWER MODELS

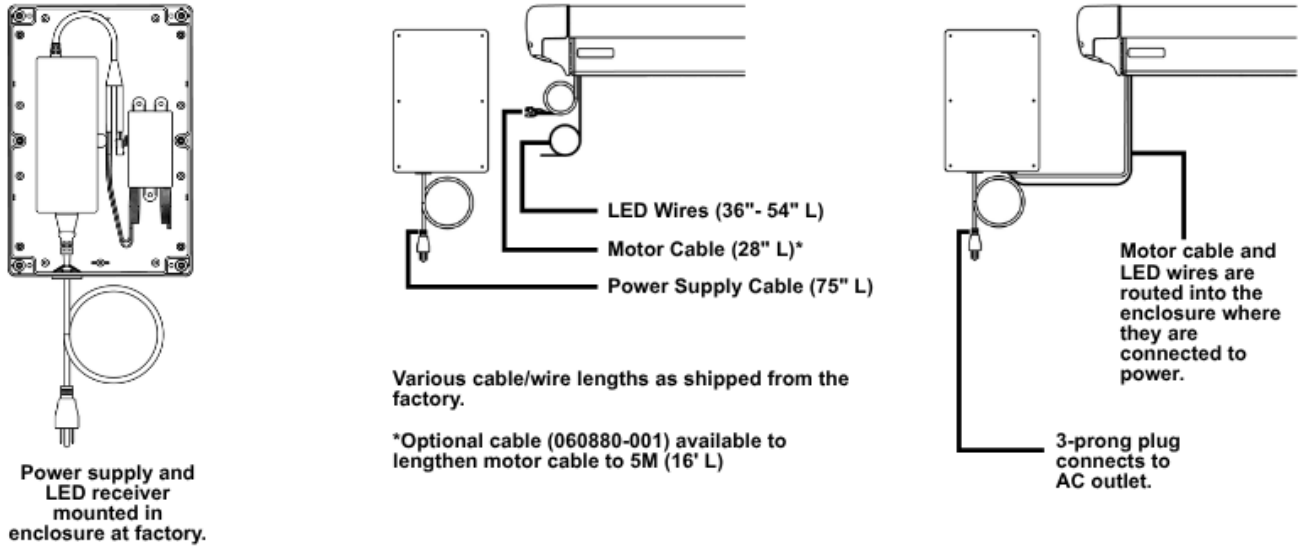


Figure 6b

1. Connect the electrical lead of the awning to the 12VDC power supply power cable inside the enclosure.

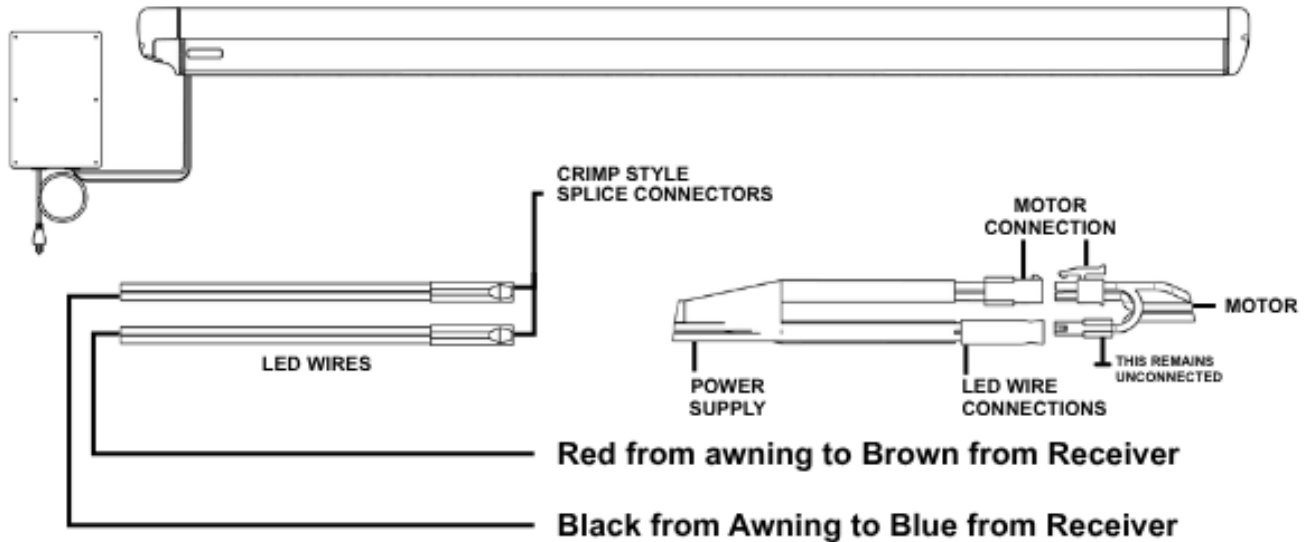


Figure 6c

**Connections and excess cables/wires should be protected within the provided enclosure.*

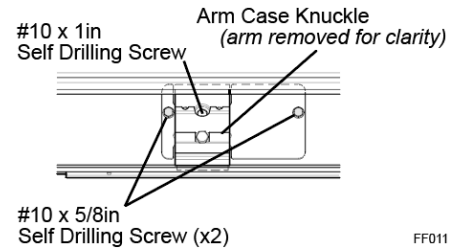
2. Plug in the 12VDC power supply to a nearby 110VAC 60Hz outlet.
3. Using the remote, open the awning by pressing the down arrow button (If the up-arrow button opens the awning, this can be reversed. Follow the instructions for the Somfy remote and for the 12VDC motor.
4. Open the awning to full extension. Verify that the awning can operate fully without obstruction.
5. Route the cables to the desired mounting location for the 12VDC power supply. This location should be dry and protected from the weather. Route LED wires from the awning inside the enclosure and connect to the appropriate wires from LED receiver with crimp style splice connectors.
6. Proceed to securing the awning while the awning is open.

SECURING THE AWNING

The awning must be secured as described below.

NOTICE For proper awning operation and structural integrity, the awning must be secured as described. Failure to secure the awning may result in damage to the awning and structure and void the warranty.

1. Open the awning. Remove the power source to the awning.
2. Through the flat plate of each case connector, use two (2) #10 x 5/8inch self-drilling screws and one (1) #10 x 1inch self-drilling screw to attach the awning to the mounting brackets.



FF011

NOTICE Take care to avoid contacting the canopy with the drill driver while installing the screws, otherwise canopy may be damaged.

3. After fastening the awning, reattach the power source to the awning.

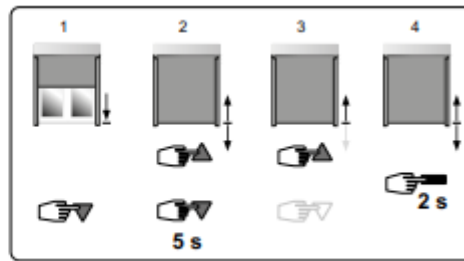
SETTING OPERATIONAL PARAMETERS

The operation settings of the awning are pre-set at the factory, including the fully extended position.

RE-ADJUST EXTENSION POSITION

To adjust the fully extended position from the factory setting, follow these instructions.

- 1- Move the motor to the DOWN end limit previously set in section 2.3 with the **DOWN** button.
- 2- Press **simultaneously for 5 seconds** the **UP** and **DOWN** buttons, the motor will run for 0.5 second in one direction, then in the other direction.
- 3- Move to the new position with the UP and DOWN buttons.
- 4- **Confirm the new position by pressing 2 seconds the STOP button.** The motor will run for 0,5 second in one direction and then in the other direction. *The new end limit setting is memorized.*



NOTICE Extending the awning too far may prevent the awning from closing because the motor protects itself when retracting from an overextended position. To overcome this, push in on the lead rail while the awning retracts from the overextended position for the first 12” of retraction.

For more advanced parameter setting, including a complete reset of the system, please refer to **Somfy Motor Instructions (Ref 5151225A)**.

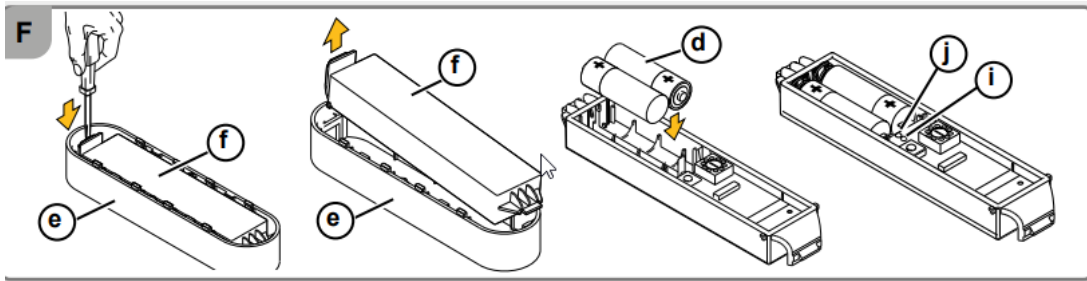
MOTOR SENSOR OPERATION

WARNING Wind is variable and a strong gust of wind can occur faster than the sensor can react and can quickly damage the awning. Do not leave the awning unsupervised at any time. You should immediately retract the awning if the wind is starting to affect the awning in an unsafe manner.

The wind sensor is paired to the awning at the factory at a default sensitivity level of 2 which is sufficient for most applications.

To replace the batteries (2, AAA 1.5V) follow these instructions.

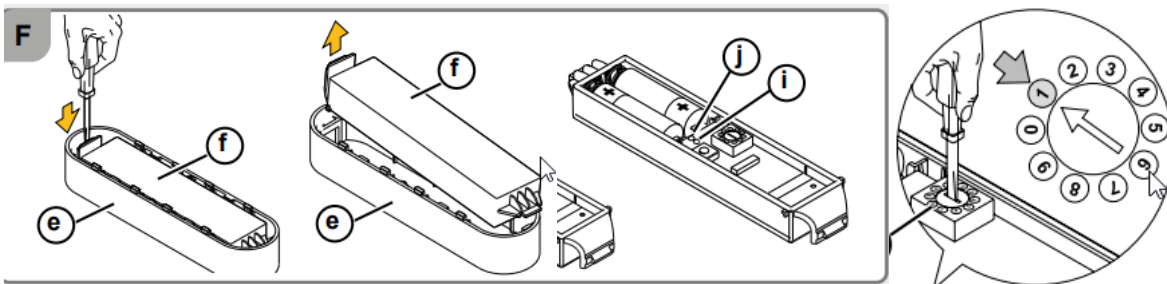
1. Remove the sensor from the bracket on the inside of the lead rail at the left end of the awning.
2. Access the batteries as shown below.
3. Remove old batteries and insert new batteries (2, AAA 1.5V), carefully observing polarity markings. (green LED light will come on briefly to indicate proper insertion/sufficient battery level)
4. Reassemble sensor and reinstall it on the bracket on the inside of the lead rail.

**NOTICE**

- When the batteries are replaced, the sensor settings will remain memorized.
- Never use rechargeable batteries for the sensor.
- If the awning retracts on its own after being extended for 30 to 60 minutes without any wind, this is an indicator that the batteries need to be replaced.

To change the sensitivity of the sensor.

1. Remove the sensor from the bracket on the inside of the lead rail at the left end of the awning.
2. Access the sensitivity adjustment switch.
3. Set the sensitivity adjustment switch to the desired threshold using a flat blade screwdriver.
 - a. Threshold 1: Light vibration will trigger retraction
 - b. Threshold 2: Stronger vibration will trigger retraction.



OPTIONAL LED LIGHTING

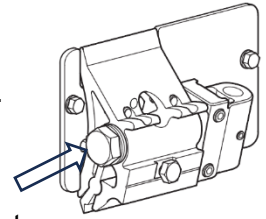
The Freedom awning is available with LED lighting when using an external power supply. LED Lighting is not available with Battery/Solar models. To utilize the LED light strip, follow these steps:

1. Install the awning as per the installation instructions above for the Direct Power model.
2. Route the LED wires from the awning to the 12V LED receiver.
3. Connect the +12VDC wire (Red) from the awning to the +12VDC wire (Brown) on the 12V LED receiver (OUT). Please refer to the wiring diagram included with the 12V LED receiver.
4. Connect the Ground wire (Black) from the awning to the Ground wire (Blue) on the 12V LED receiver (OUT). Please refer to the wiring diagram included with the 12V LED receiver.
5. For all connections, you may use wire nuts or other suitable electrical connectors as allowed by the electrical codes in your installation area. Please consult with the Authority Having Jurisdiction for further information.

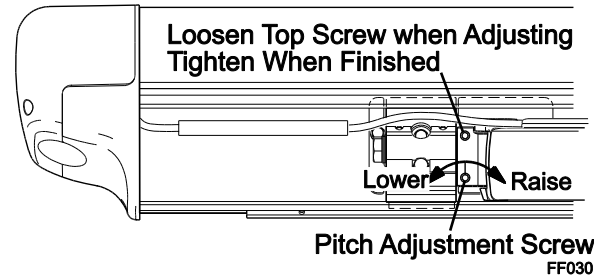
PITCH ADJUSTMENT

The pitch for Freedom can be adjusted to optimize the installation.

1. Open the awning to access the adjustment screws located on the case connectors.
2. Have a second person lift on the lead rail to relieve the pressure on the adjustment screws.
3. Slightly loosen the horizontal bolt in the case connector (see arrow) with a 17mm socket.
4. Using a 4mm allen wrench, loosen the top screw. Turn the bottom adjustment screw clockwise to raise the lead rail; turn the adjustment screw counterclockwise to lower the lead rail.
5. When the pitch is set at the desired angle, retighten the horizontal bolt, then tighten the top screw.
6. Repeat for each arm. Ensure that the lead rail is parallel with the awning case. You may also tilt the lead rail slightly to help direct light rain toward one side or another.
7. Once the case connectors are set, close the awning. You may notice that after adjusting the case connectors for a different pitch, the awning does not close completely as the lead rail meets the case. You may also need to adjust the lead rail connectors. On each lead rail connector, there is a small adjustment screw. You can tighten or loosen the lead rail pitch adjustment screw to change the angle of the lead rail. It is best to experiment with your awning once you have set the desired pitch. Normally, once set no further adjustments are necessary. After strong winds with the awning open, you may need to adjust the lead rail to ensure a tight closed fit.

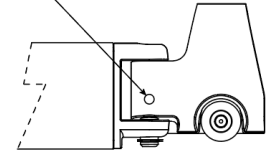


FF028



FF030

Leadrail Pitch Adjustment Screw



FR004

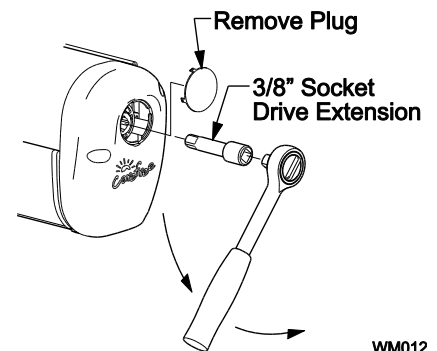
NOTICE Do not adjust the pitch of the awning higher than the minimum allowed per size of awning (see page 10). Over adjusting the pitch can cause the awning to not close properly and cause misalignment between the cassette and the lead rail.

MANUAL OVERRIDE

If power to the awning is not available, the awning can be safely retracted using the manual override located on the idler (right) end of the case.

NOTE: This procedure cannot be used to extend the awning.

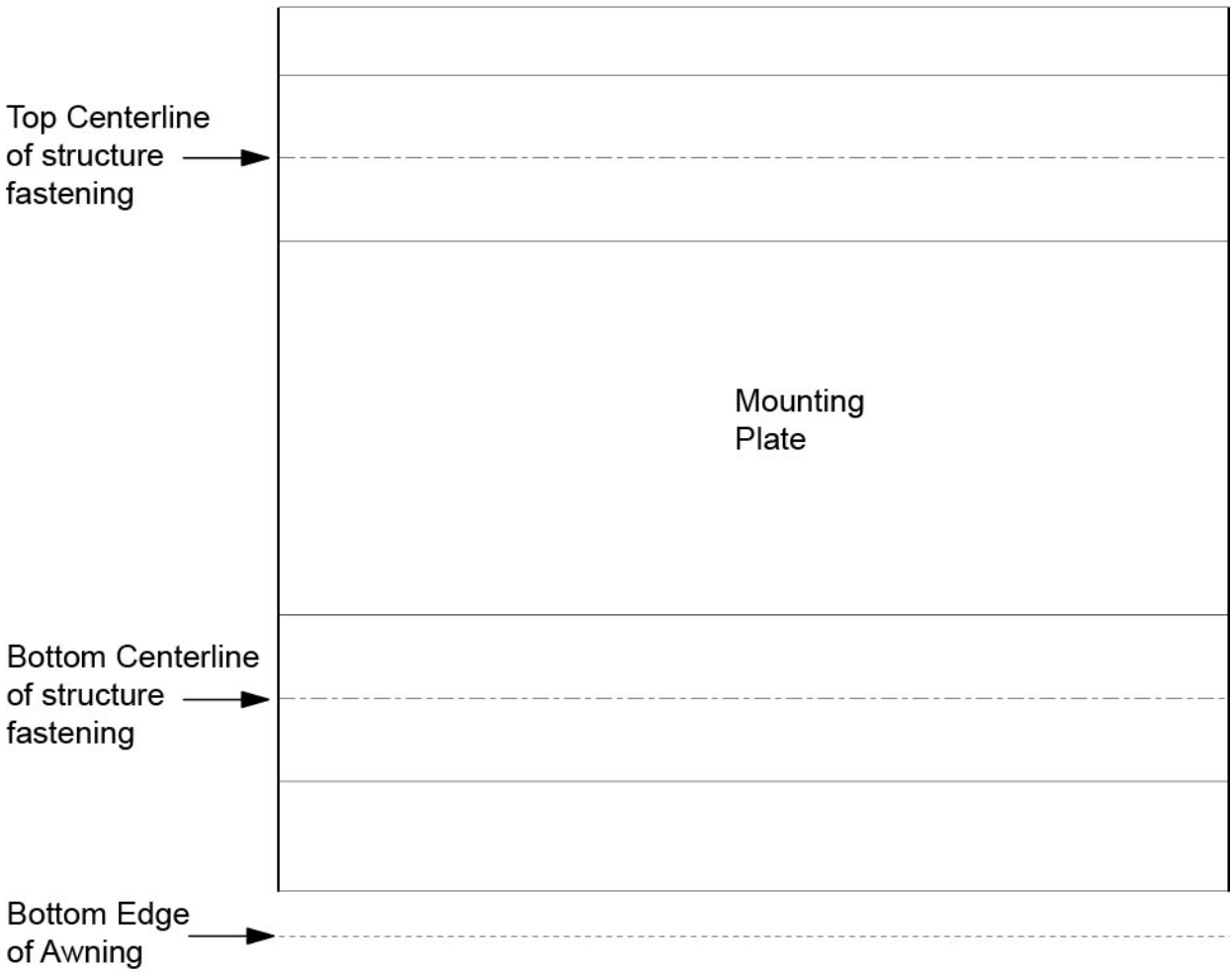
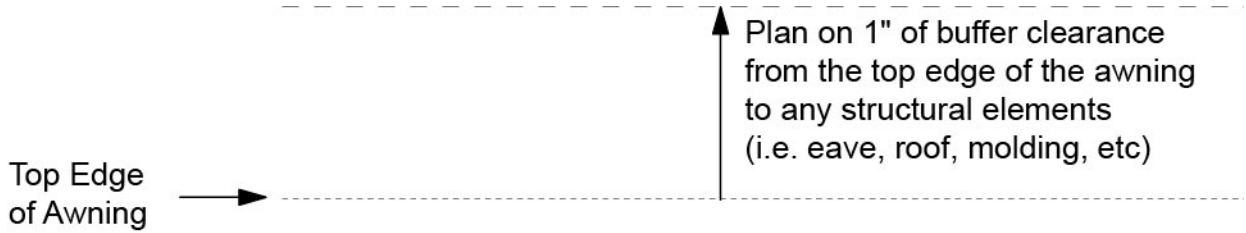
1. Remove the plug from the right endcap and save.
2. Insert a 3/8" socket drive extension and handle into the square drive hole inside the endcap.
3. Turn the handle counterclockwise until the awning is retracted.
4. Replace the plug.



WM012

NOTICE After closing the awning with the manual override, the lead rail may move out from the case 1/4" -1/2". This is normal and the awning is secure until power is restored or repairs are completed. Do not attempt to force the lead rail in with the override, serious damage can occur to the awning.

MOUNTING TEMPLATE 1:1 SCALE



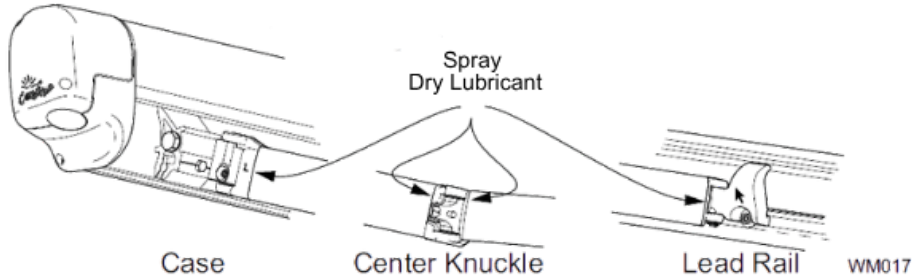
FF004c

MAINTENANCE

If power to the awning is not available, the awning can be safely retracted using the manual override located on the idler (right) end of the case.

ARM NOISE

After a period of use, the arm knuckle joints may slide together slightly making a squeaking, squealing, or groaning noise; this is normal and not a reason for concern. To reduce the sound, apply dry film lubricant to the locations shown. Operate the awning and repeat if necessary.



CLEANING/WIPING THE AWNING CASSETTE

Maintaining a Sol-Lux Awning is easy. Just follow these basic steps:

- Always operate the awning according to the instructions.
- Periodically check that the fasteners are tight. Tighten if necessary.
- Keep the awning fabric and arms clean.

NOTICE Do not use oil-based cleaners or any caustic, granulated, or abrasive type cleaners on your Sol-Lux product.

1. One of the best ways to keep the fabric looking good and to delay the need for deep or vigorous cleanings is to hose fabrics off monthly with clear water. This practice will help prevent dirt from becoming deeply imbedded in the fabric. In most environments, a thorough cleaning will be needed every two to three years.
2. When it's time for a thorough cleaning, the fabric can be cleaned while still on the awning frame. · For Vinyl Fabric – Use a soft brush and warm water with soap. · For Acrylic Fabric – Use a stiff brush and warm water with soap.
3. When cleaning the fabric, it is important to observe the following:
 - Always use a natural soap, never detergent.
 - Water should be cold to lukewarm, never more than 100°F.
 - Air-dry only. Never apply heat to the fabric.
 - Always allow the fabric to dry thoroughly before rolling up the awning.

NOTICE Clean the exterior cassette hardware at least twice per year, or as needed, using fresh water to help prevent corrosion from salt and other contaminants.

SOL-LUX® NON-TRANSFERABLE LIMITED WARRANTY

THIS WARRANTY IS NON-TRANSFERABLE AND APPLIES ONLY TO THE ORIGINAL RETAIL PURCHASER.

Sol-Lux®, a brand of Carefree of Colorado (“Sol-Lux”), warrants to the original retail purchaser (“Purchaser”) that Sol-Lux products (“Product”) shall be free from defects in materials and workmanship under normal use and service, subject to the terms, conditions, limitations, and exclusions set forth below.

Sol-Lux’s sole obligation, and Purchaser’s sole recourse, under this Warranty is limited, at Sol-Lux’s sole discretion, to the repair or replacement of any defective component using new or factory-refurbished parts during the applicable warranty period.

1. WARRANTY PERIOD

- a. **Five (5) years** limited Warranty on the Product, excluding installation and labor.
- b. Warranty coverage begins on the **date the Product is shipped from Sol-Lux**, not the date of purchase, delivery, installation, repair, or first use.

2. WHAT IS COVERED

This Warranty exclusively covers Purchaser claims of defects in materials and workmanship under normal use during the warranty period (“Claims”) for the following components and conditions.

- a. **Awning Fabric** – applies to Claims of significant manufacturing defects only.
 - Excludes minor blemishes, normal wear, pinholes, color fading, or cosmetic variations.
- b. **Awning Extrusions, Hardware, and Finishes** – applies to Claims of significant manufacturing defects only.
 - Excludes minor blemishes, normal wear, oxidation, or gradual finish fading.

Freight on Approved Warranty Parts

Sol-Lux will, at its sole discretion, pay standard freight charges for approved warranty replacement parts using Sol-Lux’s chosen shipping method.

Labor

Labor required to replace or repair a defective component is covered for one (1) year from the date the Product is shipped from Sol-Lux.

Sol-Lux may, at its sole discretion, elect to provide labor through a certified Dealer or reimburse labor costs. Any labor reimbursement shall be determined by the Carefree Labor Flat Fee Payment Schedule.

Labor costs to access Sol-Lux components installed in concealed or hard-to-reach locations may be excluded from Warranty at Sol-Lux’s sole discretion.

3. WHAT IS NOT COVERED

This Warranty does **not** cover:

- a. Damage present but not reported at the time of delivery.
- b. Damage or failure not caused by defects in materials or workmanship, including but not limited to damage caused by neglect, misuse, accident, improper storage, wind, rain, water pooling, snow, ice, weather events, or acts of God.
- c. Damage from abuse, neglect, or failure to operate, maintain, or store the Product in accordance with Sol-Lux instructions.

- d. Damage from improper or inadequate installation, adjustment, or mounting, including failure to properly fasten the awning to adequate structural members.
- e. Damage arising out of or relating to electrical services, surges or equipment failures.
- f. Cosmetic damage and normal wear and tear, including periodic adjustments.
- g. Components not manufactured or sold by Sol-Lux.
- h. Use of non-approved third-party components or accessories not expressly authorized in writing by Sol-Lux.
- i. Damage resulting from leaving retractable awnings extended during adverse weather conditions.
- j. Stretching of fabric or damage to structural components caused by external factors such as wind or water pooling.
- k. Failure or damage to lateral arms or arm components.
- l. Any product purchased from a non-authorized dealer or third-party reseller.
- m. Labor costs associated with installation, removal, or reinstallation of an awning.
- n. Freight expenses to and from Sol-Lux, unless expressly stated otherwise herein.
- o. All claims arising from the use of the Sol-Lux Mobile App and related software, which is provided "as is" without warranty of any kind, express or implied.
- p. No person or entity other than Sol-Lux is authorized to make any representations or warranties regarding the Product.
- q. Any incidental, indirect, or consequential damage, including loss of use, property damage, or economic loss.

This Warranty is not transferable. Any removal, modification, or alteration of any Product component or safety device shall void this Warranty in its entirety.

4. PURCHASER RESPONSIBILITIES

To maintain Warranty eligibility, the Purchaser must:

- a. Retain and provide the original, **dated proof of purchase**.
**Note that Sol-Lux may choose to waive this requirement at its sole discretion if Sol-Lux is in possession of the Product warranty registration.*
- b. Submit a warranty claim to Sol-Lux of missing or damaged parts **within thirty (30) days of delivery** as set forth in Section 5. Failure to do so voids replacement eligibility.
- c. Inspect the Product upon delivery for condition and proper orientation and immediately report any non-conformity.
- d. Ensure the Product is installed strictly in accordance with the applicable Sol-Lux installation instructions.
- e. Perform all routine maintenance as outlined in accordance with the applicable Sol-Lux product documentation.
- f. Operate, store, and maintain the Product responsibly and in accordance with all instructions.
- g. Keep fabric dry and free of debris prior to retraction. Never store wet fabric for extended periods.
- h. Retract awnings during inclement weather such as wind, rain and snow, or when unattended.
Note: Wind and sun sensors are to be used as supplemental protection only. The use of these components does not guarantee damage prevention.
- i. Provide photographs, videos or other evidence of claimed defects upon request.
- j. Obtain a Return Authorization (RA) prior to returning any Product or component, and return items freight prepaid pursuant to further instruction from Sol-Lux.

5. WARRANTY CLAIM PROCEDURE

To initiate a Warranty Claim, contact Sol-Lux Customer Service in writing during the warranty period.

Sol-Lux may, in its sole discretion, require additional support for a Claim, including but not limited to:

- a. Proof of purchase
- b. Detailed description of the issue
- c. Photographic or video evidence

Sol-Lux reserves the right to:

- a. Supply only the parts required to address the approved Claim
- b. Inspect returned components prior to approval of Claim

If Sol-Lux determines upon inspection that a submitted claim is invalid, inaccurate or misrepresented, Sol-Lux reserves the right to i) charge the Purchaser for all incurred shipping, handling, and inspection costs and ii) decline Purchaser's request for Warranty service.

6. SOLAR-POWERED BATTERY COMPONENTS

Solar-powered battery components include a five (5) year limited, prorated Warranty covering manufacturing defects:

- **Years 0-2:** Sol-Lux will provide Purchaser with a replacement solar battery at no charge.
- **Years 2-5:** Sol-Lux will provide Purchaser the opportunity to purchase a replacement solar battery through Sol-Lux at **50% off** the current standard retail price.
- **Labor costs, installation and any other related costs or expenses** associated with battery installation are **not** included in this Warranty.

7. LIMITATION OF LIABILITY

THIS WARRANTY PROVIDES SPECIFIC LEGAL RIGHTS; ADDITIONAL RIGHTS MAY EXIST UNDER APPLICABLE LAW.

Except as expressly stated, Sol-Lux disclaims all other warranties, express or implied by law, course of dealing, course of performance, usage of trade, or otherwise, including warranties of merchantability or fitness for a particular purpose.

Notwithstanding anything in the foregoing, Sol-Lux's total liability shall not, under any circumstance, exceed the purchase price paid for the Product (excluding freight, taxes or other associated costs). Sol-Lux shall not be liable for any claims arising from or related to personal injury, property damage, economic, incidental, indirect or consequential losses.

8. NO CHANGES TO WARRANTY

No individual, dealer, installer, company or entity other than Sol-Lux is authorized to alter, modify or extend this Warranty.

9. PRODUCT CHANGES

Sol-Lux reserves the right to improve or modify product design or components without obligation to retrofit previously manufactured or installed products.

