

Measuring your desired awning location is the first step in customizing your Eos awning.

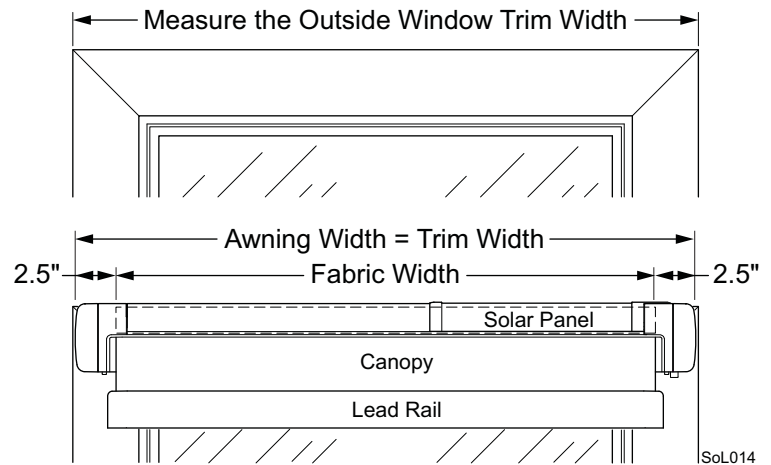
NOTE: The awning width specified when ordering is equal to the total outside product width as shown. Eos awnings are available from 39" to 96" in half-inch increments, or in centimeters from 99cm to 244cm.

WINDOWS WITH EXTERIOR TRIM

- Measure the outside width of the exterior window trim.
- Round down this measurement to the nearest half-inch (or centimeter) increment.

Example: Measurement = 43.25" use 43"

This is the order width for your awning.



Refer to Mounting Requirements described below

WINDOWS WITHOUT EXTERIOR TRIM

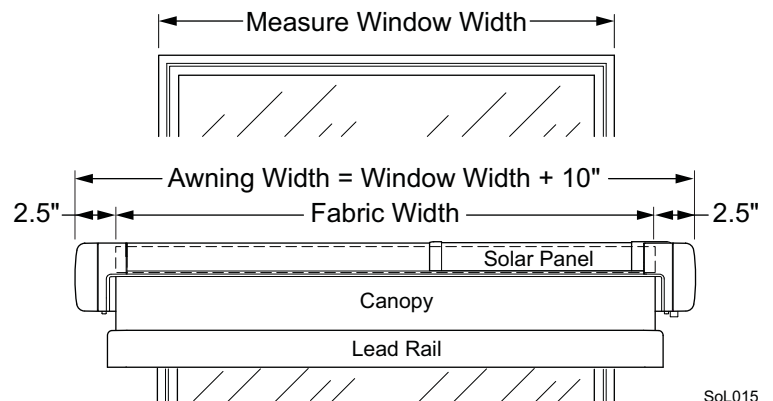
- Measure the outside width of the window.
- Round down this measurement to the nearest half-inch (or centimeter) increment.

Example: Measurement = 33.25" use 33"

- Add 10" to this measurement. Ensure the required mounting area conforms to the Mounting Requirements.

Example: 33" + 10" = 43"

This is the order width for your awning.

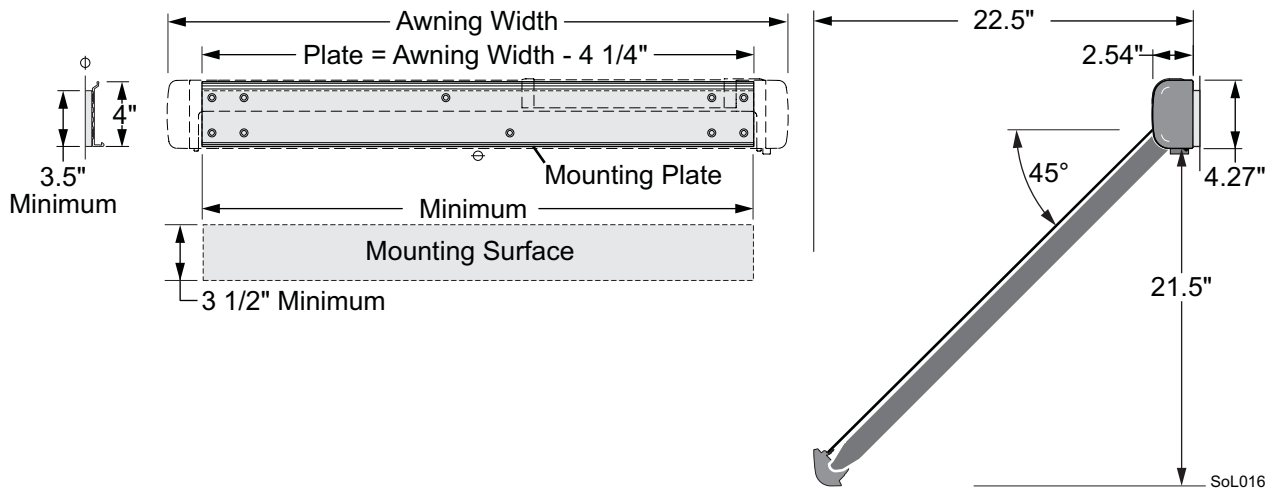


Refer to Mounting Requirements described below

MOUNTING REQUIREMENTS

THE MOUNTING AREA

- The mounting area must be flat and free of obstructions (such as lights, wires etc.)
- The area in front of the window must also be free of obstructions (such as tree branches, poles etc.) that would prevent the awning from opening. Dimensions are shown below.



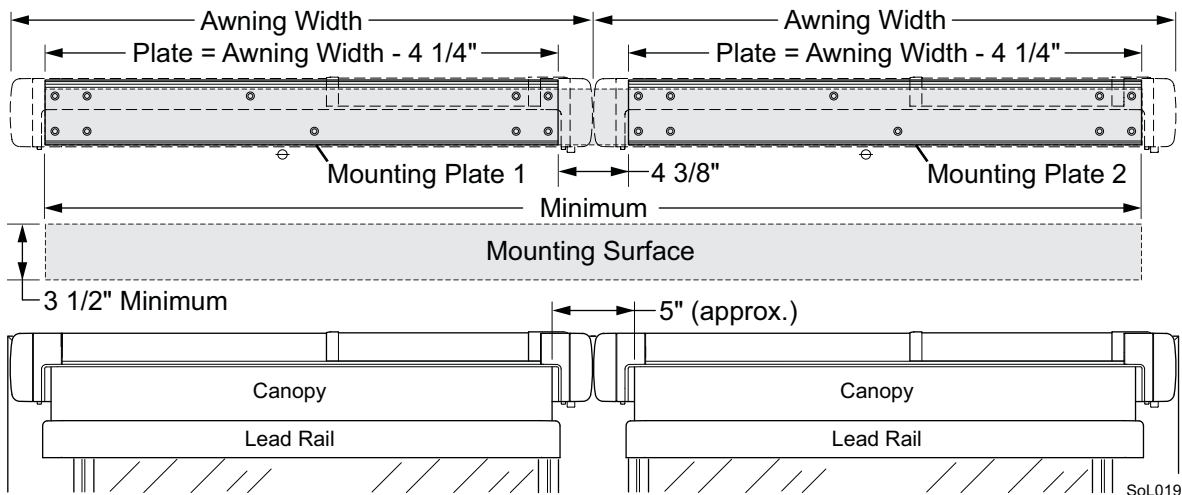
THE MOUNTING SURFACE

The EOS Awning is mounted using a full length mounting plate (actual plate is 4 1/4" shorter than the awning width).

- The plate mounting surface must be flat and plumb (vertical).
- The minimum mounting surface for the plate equals the length of the plate (varies with awning width) and 3.5" tall.
- Once mounted, the plate must be straight, level and plumb to allow for proper attachment of the awning to the plate and for correct operation of the awning.

MULTIPLE AWNINGS

The EOS Awning is available up to 96". For widths that are greater than 96" it is possible to mount two shorter awnings side by side to maximize coverage of the area. Example for a 120" wide window, order two 60" awnings.



- The minimum mounting surface for the plates equals the length of mounting plate 1 + the length of mounting plate 2 + 4 3/8" and 3.5" tall.